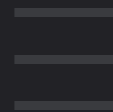




Furniture Accessories

TECHNOLOGY INVESTMENT
ECONOMIC DEVELOPMENTS
CONTRIBUTING ENVIRONMENTAL AWARENESS



Quality is Hidden in Details.

Furniture Accessories



Introduction

Welcome.



Who We Are ?

Started in 2001, KAPSAN Furniture and Accessories Industry and Trade Limited Company is expanding its design, production and marketing activities day by day in its 6000 m2 facility. KAPSAN continues to increase its international market share with its innovative and dynamic structure by closely following the furniture trends of Turkey and the world. With exports to more than 40 countries, KAPSAN carries its effectiveness in the furniture sector even further.

KAPSAN, which has been progressing by adding all the experiences it has gained since its establishment to its understanding of quality, has kept long-lasting and durable furniture legs as its primary goal and at the same time has advocated the importance of the concept of quality not only in the product but also in all stages including design, service and respect for ecological values. KAPSAN, which is always one step ahead of its competitors in the furniture and furniture accessories sector with its investments in R&D, production technologies and human resources, gives confidence to all its business partners with its EN ISO 9001: 2015 certificate.



Our Mission.

It is our priority to take consumer standards to the next level with the attention we attach to the details. We provide the best service and build strong and reliable bonds with our customers while providing high quality products. We fulfil the requirements of the ISO 9001 quality system in all our processes from production to storage, sales to assembly. Using innovative technologies; we produce without harming the environment and nature. We are constantly improving our organization to become a leading company. Our success in our sector is a fundamental indicator of our motivation.

VISION

—
To be among the top 5 companies in Europe, leading in Furniture accessories and feet in Türkiye.

VALUES

—
It is an innovative company where instills trust in its employees, defends accuracy and cares about communication between people.



KAX-0817-0130/0150/0170
Diamond.

Technical Details

HRP (Metal)
 With Plastic Plug

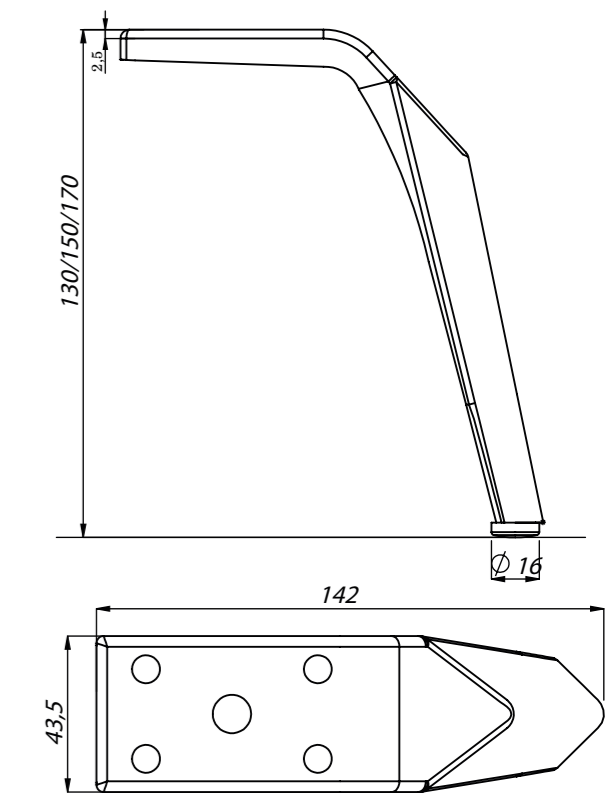
- 01** Box Dimensions
26X30X25 cm
- 02** Pcs in Box
60/50/50
- 03** Weight
16.5/16.00/17.00kgs
- 04** Volume
0,019 m³

• colors A, B, C, I

Visual



Technical Drawing



KAX-0816-0140 Milano.

Technical Details

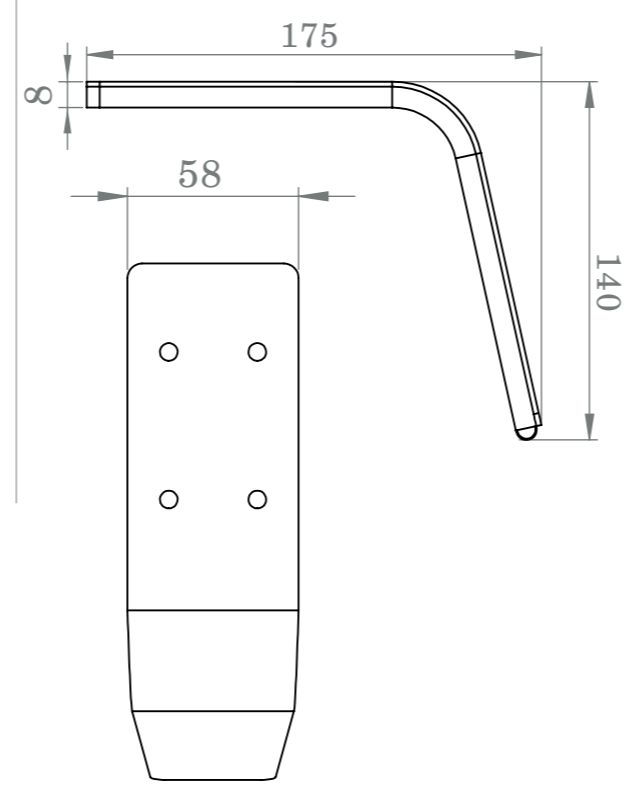
DKP (Metal)
With Plastic Plug

- 01** Box Dimensions
26×30×25 cm
- 02** Pcs in Box
20
- 03** Weight
10 kgs
- 04** Volume
0,028 m³

Visual



Technical Drawing



KAX-0818-0160 Luna.

Technical Details

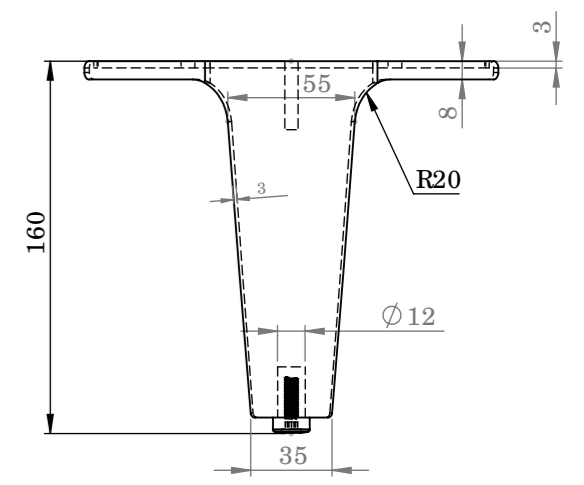
HRP (Metal)
With Plastic Plug

- 01** Box Dimensions
26×30×25 cm
- 02** Pcs in Box
30
- 03** Weight
16 kgs
- 04** Volume
0,018 m³

Visual



Technical Drawing



KAX-2697-0122

Eclipta.

KAX-2697-0122

Technical Details



HRP(Metal)
With Plastic Plug

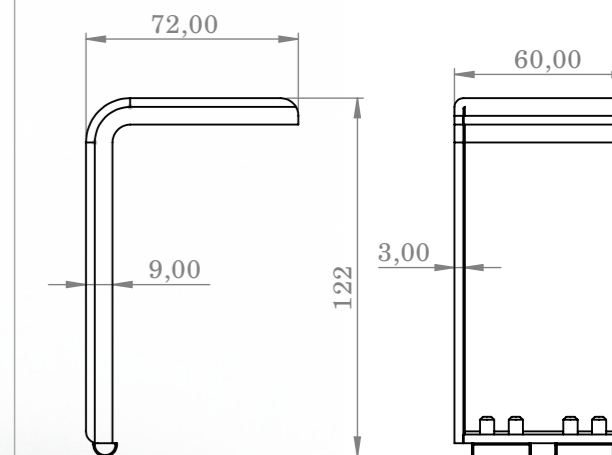
- 01** | Box Dimensions
26X30X25 cm
- 02** | Pcs in Box
50
- 03** | Weight
16 kgs
- 04** | Volume
0,019 m³

- colors A, B, C, I

Visual



Technical Drawing



KAX-4008-0120/0150 Allegrova.

KAX-4009-0150 Verona.

Technical Details

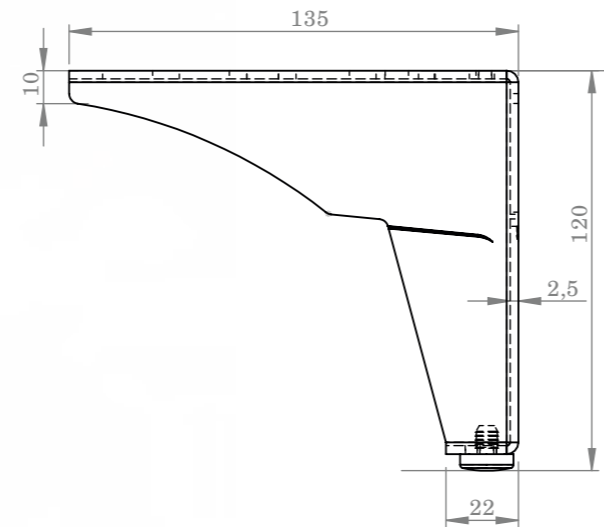
Visual

Technical Drawing

HRP(Metal)
With Plastic Plug

- 01** Box Dimensions
26×30×25 cm
- 02** Pcs in Box
40
- 03** Weight
16.5 kgs
- 04** Volume
0,019 m³

• colors A, B, C, I



Technical Details

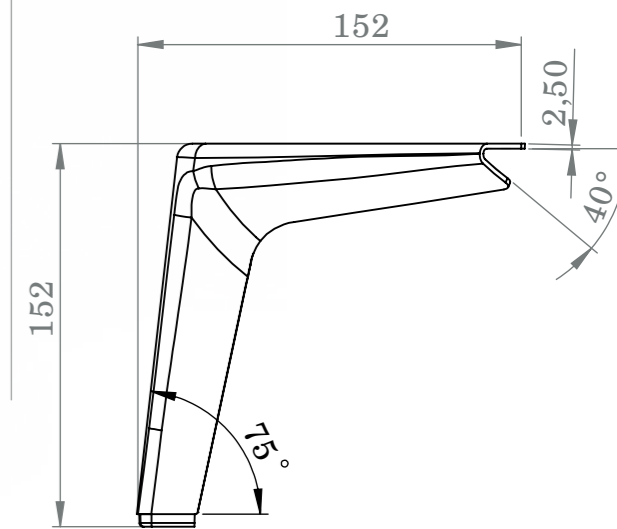
Visual

Technical Drawing

HRP(Metal)
With Plastic Plug

- 01** Box Dimensions
29×39×25 cm
- 02** Pcs in Box
24
- 03** Weight
17 kgs
- 04** Volume
0,028 m³

• colors A, B, C, I



KAX 4012

KAX-4012-0125



KAX-4011-0125/0150

Atlas.

Technical Details

HRP(Metal)
With Plastic Plug

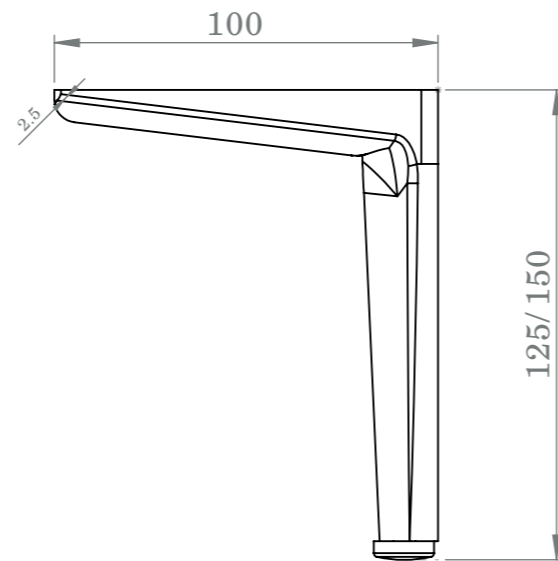
- 01** Box Dimensions
26×30×25 cm
- 02** Pcs in Box
40/40
- 03** Weight
11.5/11 kgs
- 04** Volume
0,028 m³

Visual



• colors A, B, C, I

Technical Drawing



KAX-4012-0125/0150

Artify.

Technical Details

DKP(Metal)
With Plastic Plug

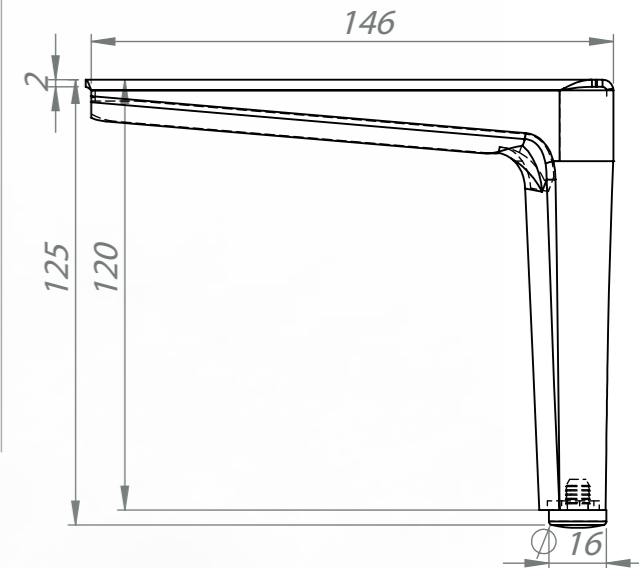
- 01** Box Dimensions
26×30×25 cm
- 02** Pcs in Box
40
- 03** Weight
9.5/9 kgs
- 04** Volume
0,028 m³

Visual



• colors A, B, C, I

Technical Drawing



KAX-5008-0130

Nova.

KAX-5008-0130



Technical Details

HRP(Metal)
With Plastic Plug

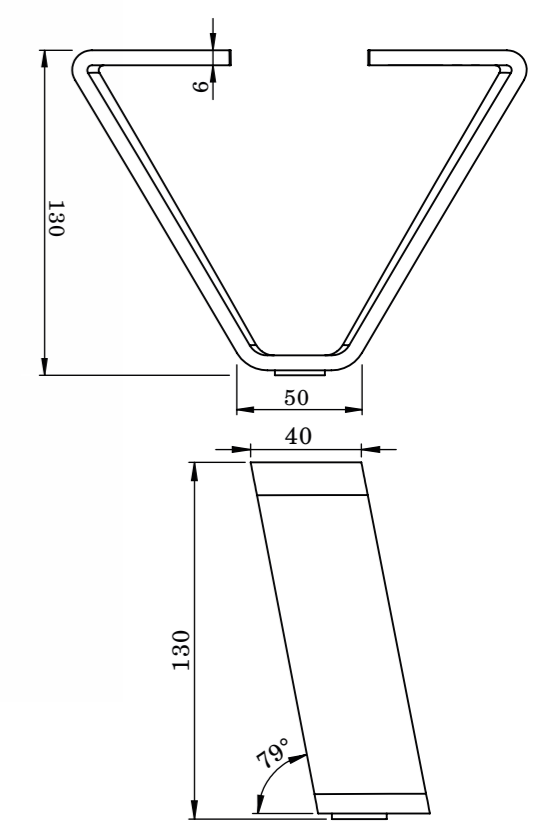
- 01** Box Dimensions
29X30X25 cm
- 02** Pcs in Box
20
- 03** Weight
24.5 kgs
- 04** Volume
0,019 m³

Visual



• colors A, B, C

Technical Drawing



KAX-4013-0155


Sova.



KAX-4013

KAX-4013-0155

Technical Details


DKP(Metal)
 With Plastic Plug

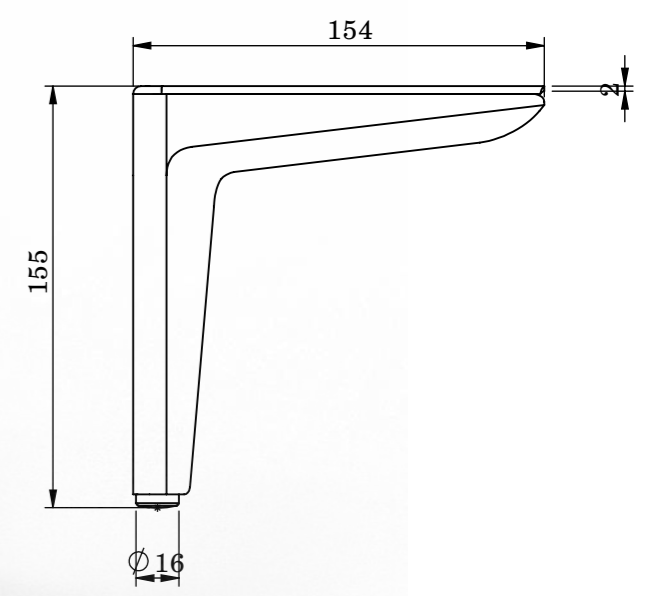
- 01** | Box Dimensions
29X30X25 cm
- 02** | Pcs in Box
40
- 03** | Weight
15 kgs
- 04** | Volume
0,019 m³

Visual



- colors A, B, C, I

Technical Drawing



KAX-7015-0150

Elysium.

Technical Details



HRP(Metal)
With Plastic Plug

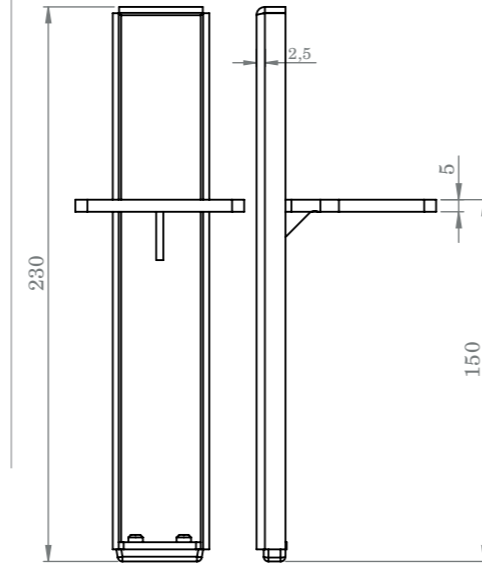
- 01** Box Dimensions
29×39×25 cm
- 02** Pcs in Box
20
- 03** Weight
10 kgs
- 04** Volume
0,028 m³

Visual



• colors A, B, C

Technical Drawing



KAX-7016-0150

Terra.

Technical Details



HRP(Metal)
With Plastic Plug

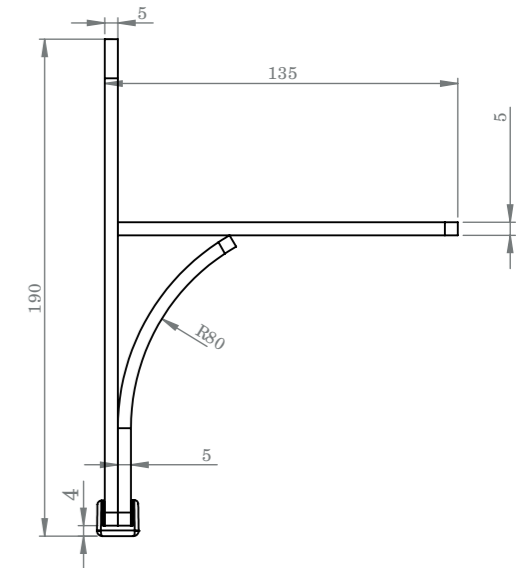
- 01** Box Dimensions
26×30×25 cm
- 02** Pcs in Box
16
- 03** Weight
15 kgs
- 04** Volume
0,018 m³

Visual



• colors A, B, C

Technical Drawing



KAX-7018-0150

Orion.

Technical Details



DKP(Metal)
With Plastic Plug

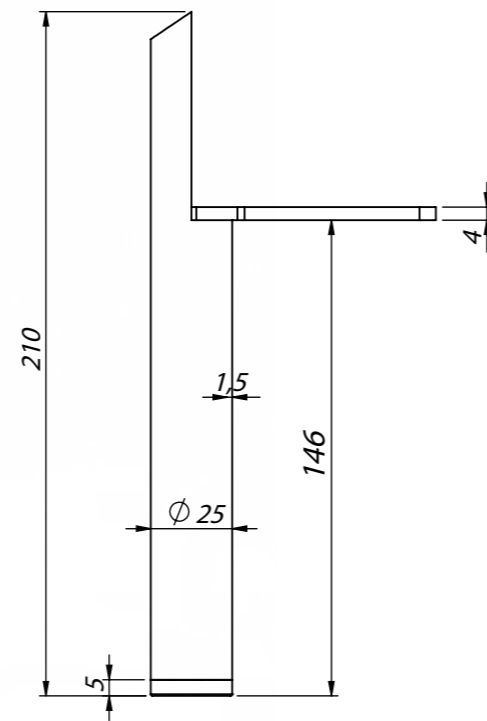
- 01** | Box Dimensions
26×30×25 cm
- 02** | Pcs in Box
36
- 03** | Weight
11 kgs
- 04** | Volume
0,019 m³

Visual



• colors A, B, C, I

Technical Drawing



KAX-7019-0150

Vega.

Technical Details



DKP(Metal)
With Plastic Plug

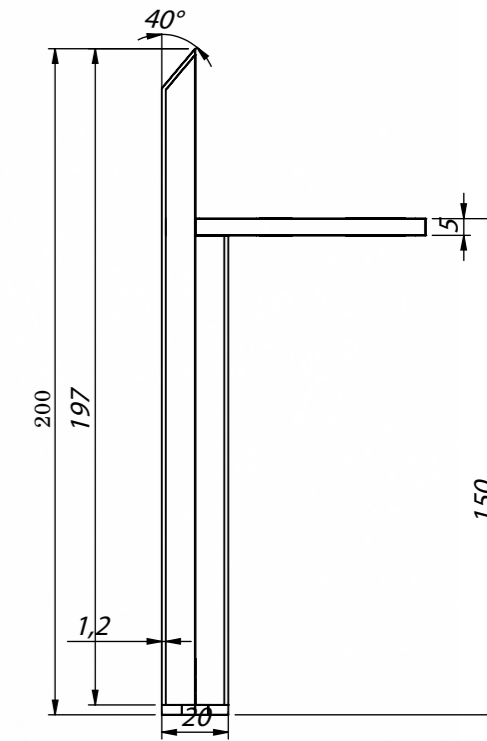
- 01** | Box Dimensions
26×30×25 cm
- 02** | Pcs in Box
36
- 03** | Weight
11 kgs
- 04** | Volume
0,019 m³

Visual



• colors A, B, C, I

Technical Drawing



KAX-7020-0150

Olion.

KAX 7020

KAX-7020-0210



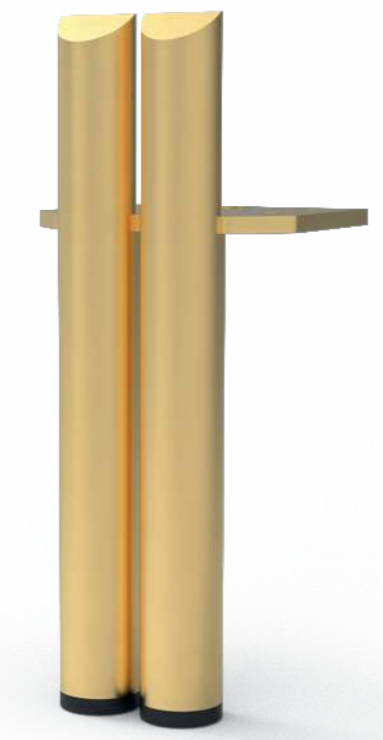
Technical Details



DKP(Metal)
With Plastic Plug

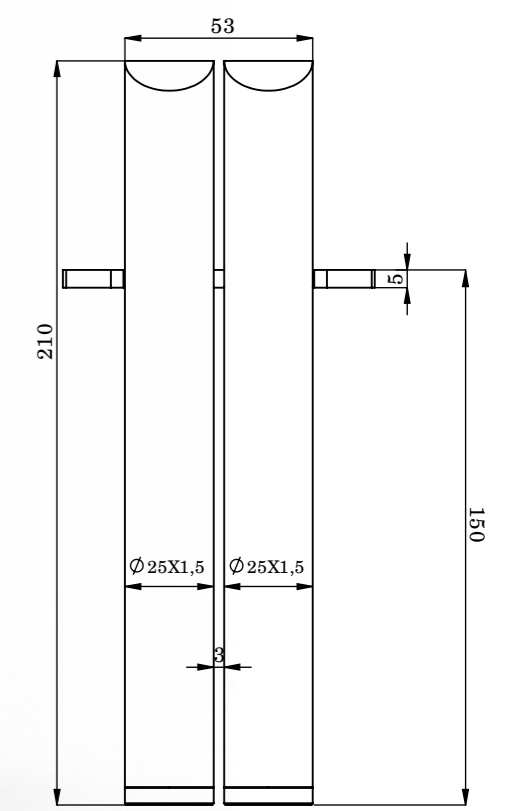
- 01** | Box Dimensions
29X30X25 cm
- 02** | Pcs in Box
36
- 03** | Weight
19 kgs
- 04** | Volume
0,019 m³

Visual



- colors A, B, C

Technical Drawing



KAX-8015-0180

Bella.

Technical Details



DKP(Metal)
With Plastic Plug

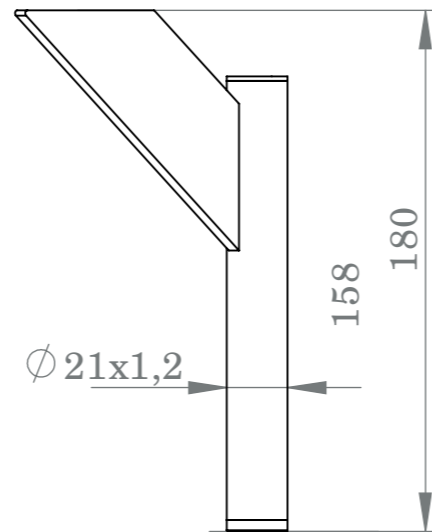
- 01** Box Dimensions
26×30×25 cm
- 02** Pcs in Box
40
- 03** Weight
12 kgs
- 04** Volume
0,028 m³

Visual



• colors A, B, C

Technical Drawing



KAX-8016-0180

Aurora.

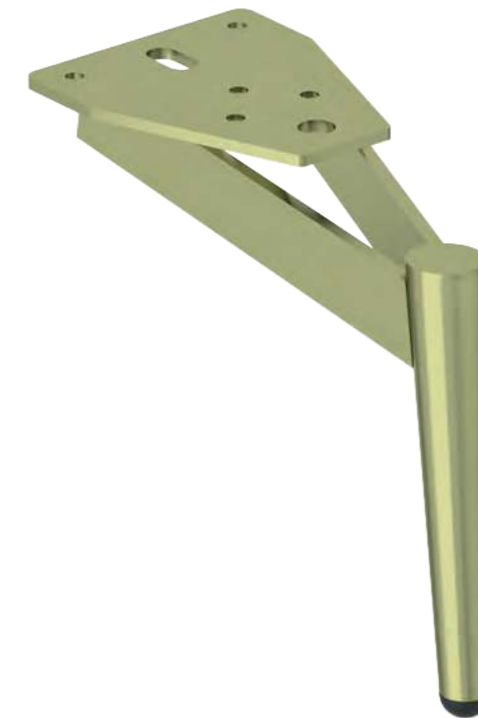
Technical Details



DKP(Metal)
With Plastic Plug

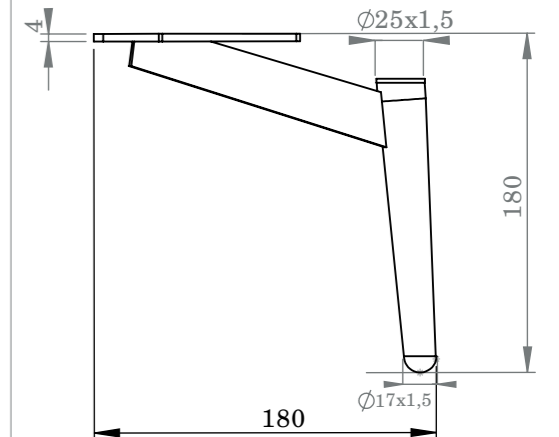
- 01** Box Dimensions
26×30×25 cm
- 02** Pcs in Box
24
- 03** Weight
13.40 kgs
- 04** Volume
0,028 m³

Visual



• colors A, B, C

Technical Drawing



KAX-8017-0080
Arcadia.

KAX-8018-0125
Eclipse.

Technical Details

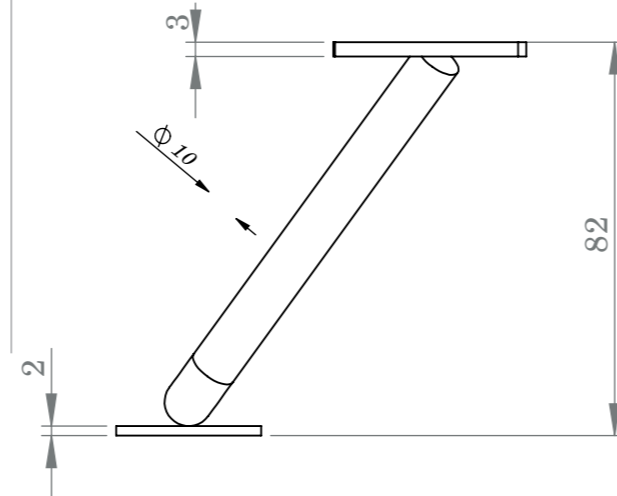
Visual

Technical Drawing

HRP(Metal)
 With Felt

- 01 Box Dimensions
26×30×25 cm
- 02 Pcs in Box
70
- 03 Weight
12 kgs
- 04 Volume
0,028 m³

• colors A, B, C, I



Technical Details

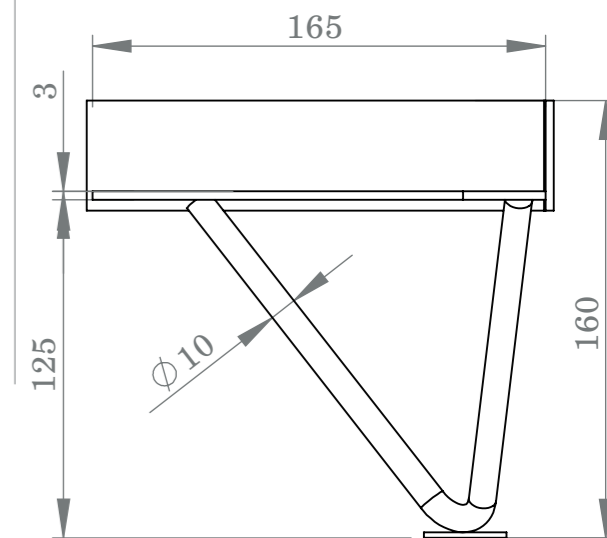
Visual

Technical Drawing

HRP(Metal)
 With Felt

- 01 Box Dimensions
29×39×25 cm
- 02 Pcs in Box
25
- 03 Weight
15.20 kgs
- 04 Volume
0,028 m³

• colors A, B, C



KAX 8019

KAX-8019-0300



KAX-8019-0300

Vintiq.

Technical Details

DKP(Metal)
With Plastic Plug

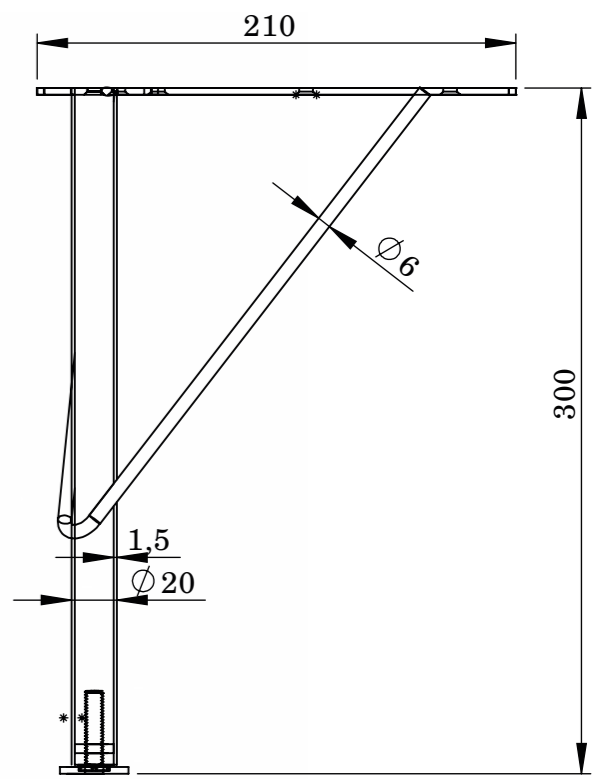
- 01 Box Dimensions
29X39X35 cm
- 02 Pcs in Box
12
- 03 Weight
9 kgs
- 04 Volume
0,028 m³

Visual



• colors A, B, C

Technical Drawing



KAX-9007-0140

Horizon.

Technical Details



DKP (Metal)
With Plastic Plug

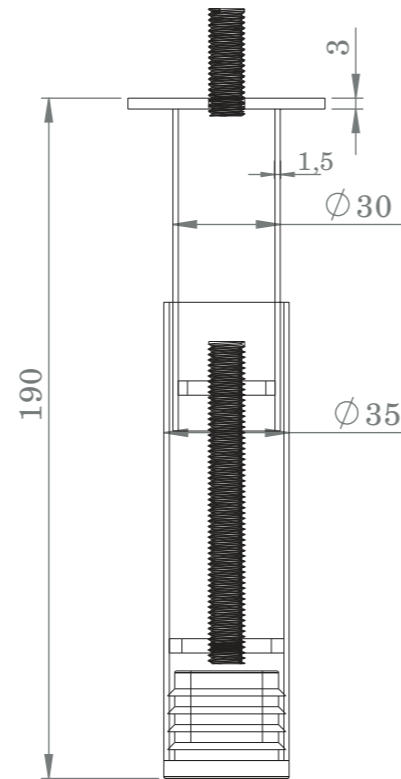
- 01** Box Dimensions
30×26×23 cm
- 02** Pcs in Box
36
- 03** Weight
18 kgs
- 04** Volume
0,018 m³

Visual



• colors A, B

Technical Drawing



KAL-0254-0190

Solstice.

Technical Details



Aluminium
With Plastic Plug

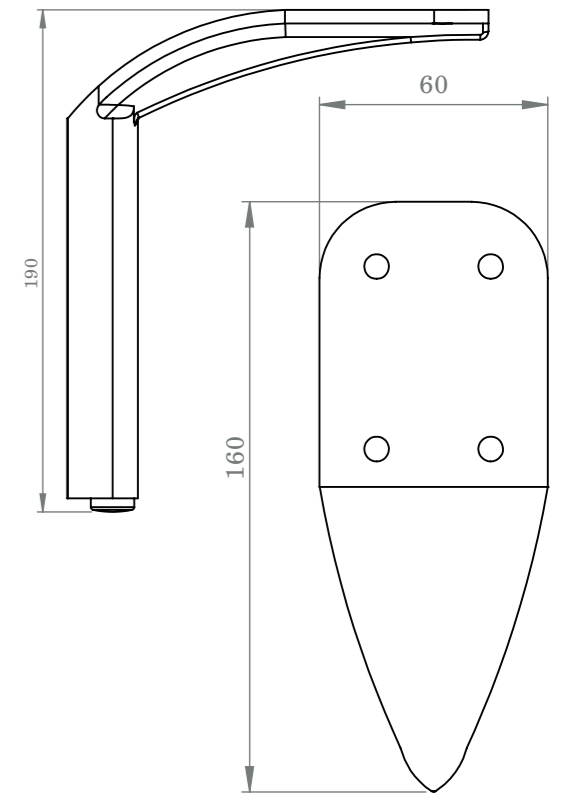
- 01** Box Dimensions
26×30×25 cm
- 02** Pcs in Box
20
- 03** Weight
7.5 kgs
- 04** Volume
0,018 m³

Visual



• colors A, B, D, I

Technical Drawing





KAX-9107-0200

Solist.

Technical Details



Aluminium
With Plastic Plug

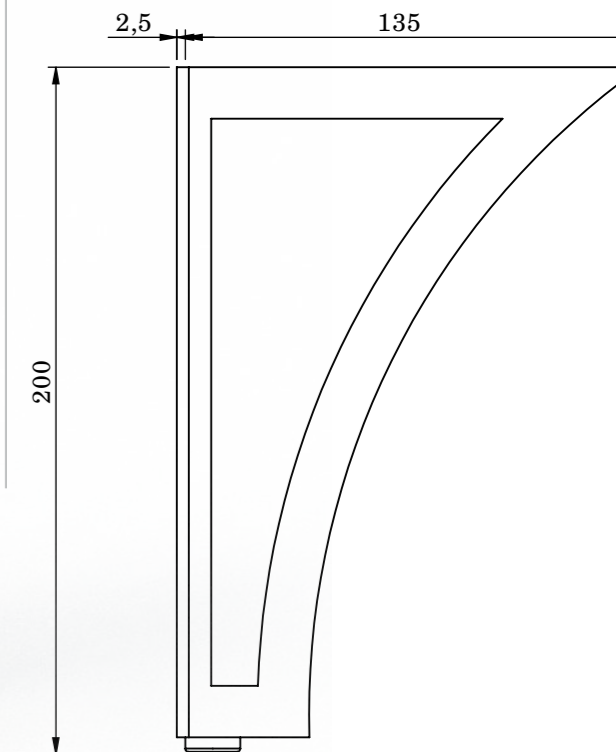
- 01** | Box Dimensions
29×39×25 cm
- 02** | Pcs in Box
40
- 03** | Weight
15.5 kgs
- 04** | Volume
0,018 m³

Visual



• colors A, B, D

Technical Drawing






KUX-0021

Nimbus.

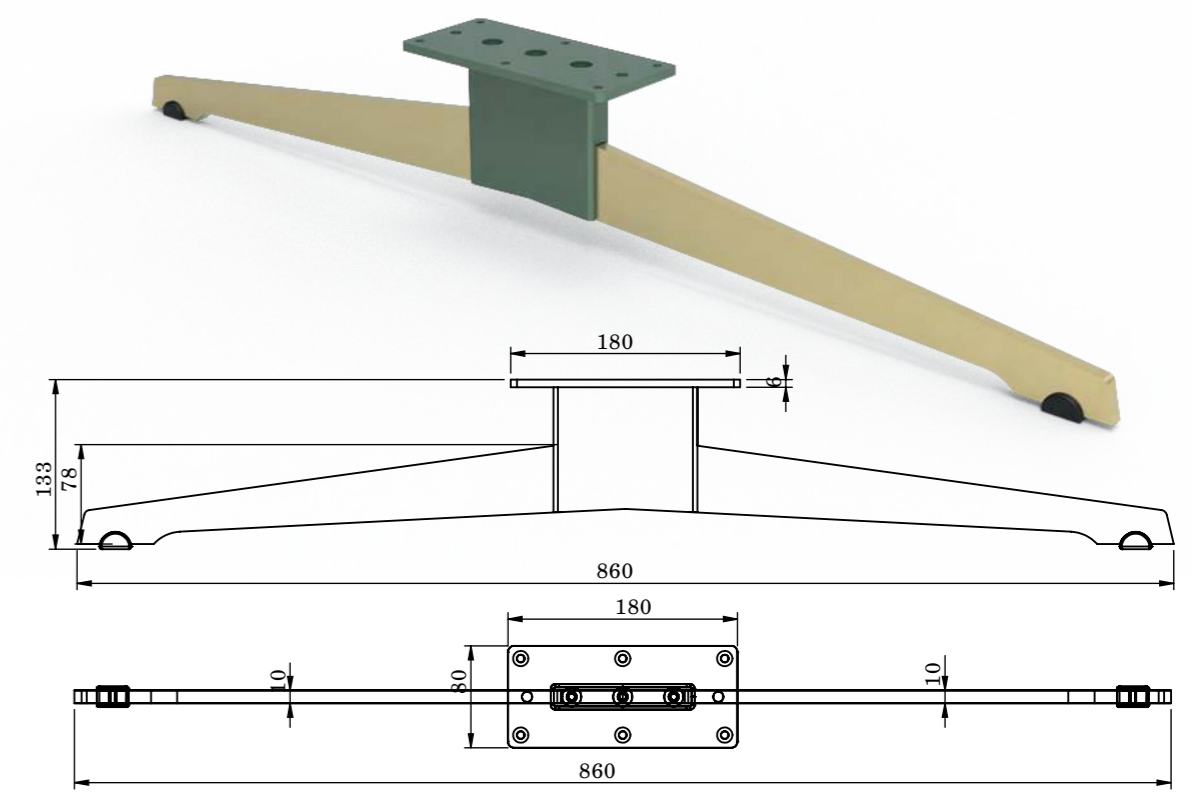
KUX-0021

Technical Details


HRP(Metal)
With Plastic Plug

- 01** Box Dimensions
19.5×80.5×10.5 cm
- 02** Pcs in Box
1 Set
- 03** Weight
8 kgs
- 04** Volume
0,040 m³

Visual/Technical Drawing



- colors A, B, C

KBA-2524-0070/0100/0125/0150/0200

Polaris.

Technical Details

DKP(Metal)
With Plastic Plug

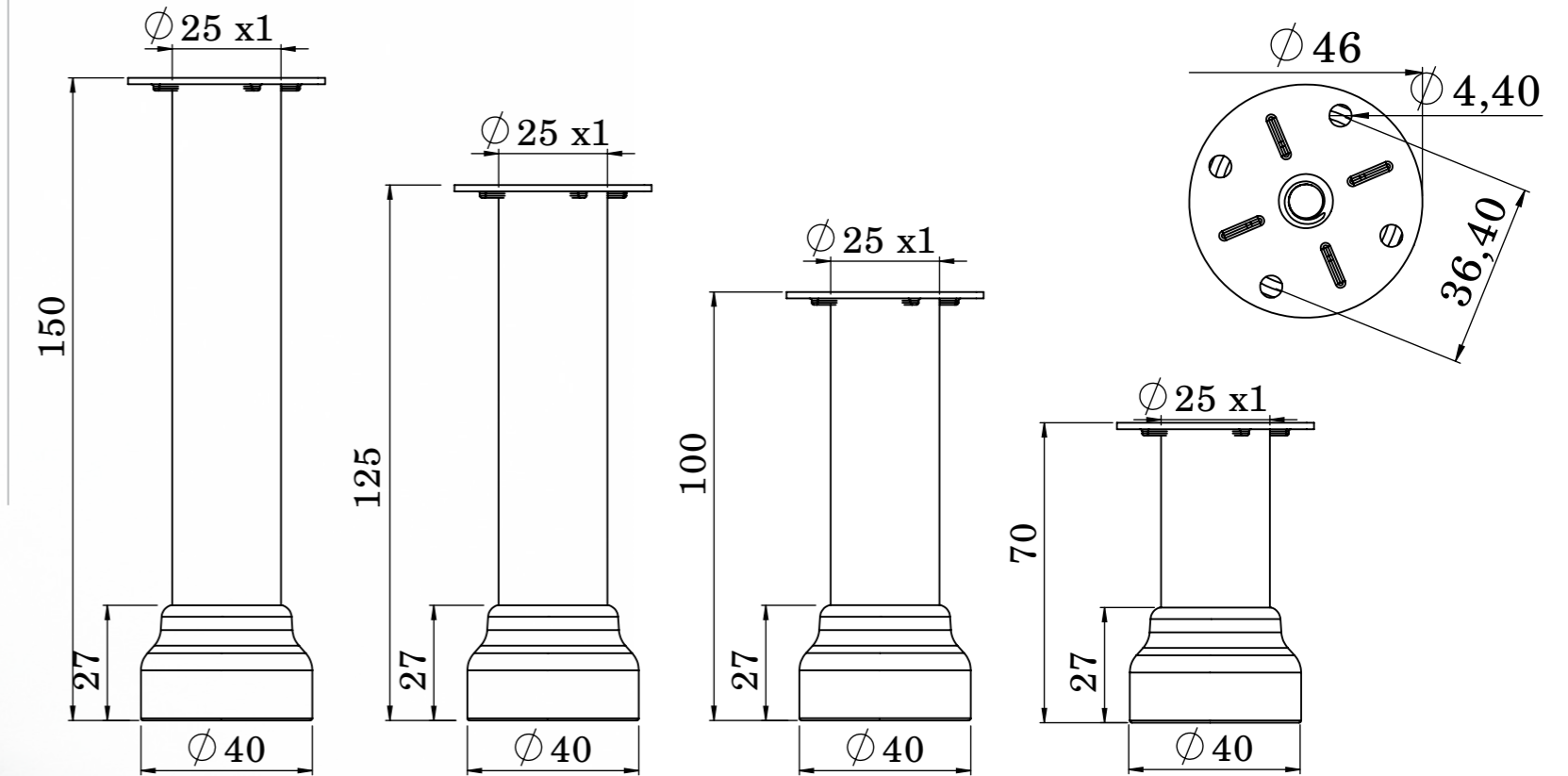
- 01** Box Dimensions
29×39×25 cm
- 02** Pcs in Box
150/120/120/100/60
- 03** Weight
15/14,5/14/12 kgs
- 04** Volume
0,010 m³

• colors A, B, C

Visual



Technical Drawing





KBA-0205

KBA-0205

KBA-0205-0070/0100/0125/0150/200

Striped.

Striped



Technical Details

Visual

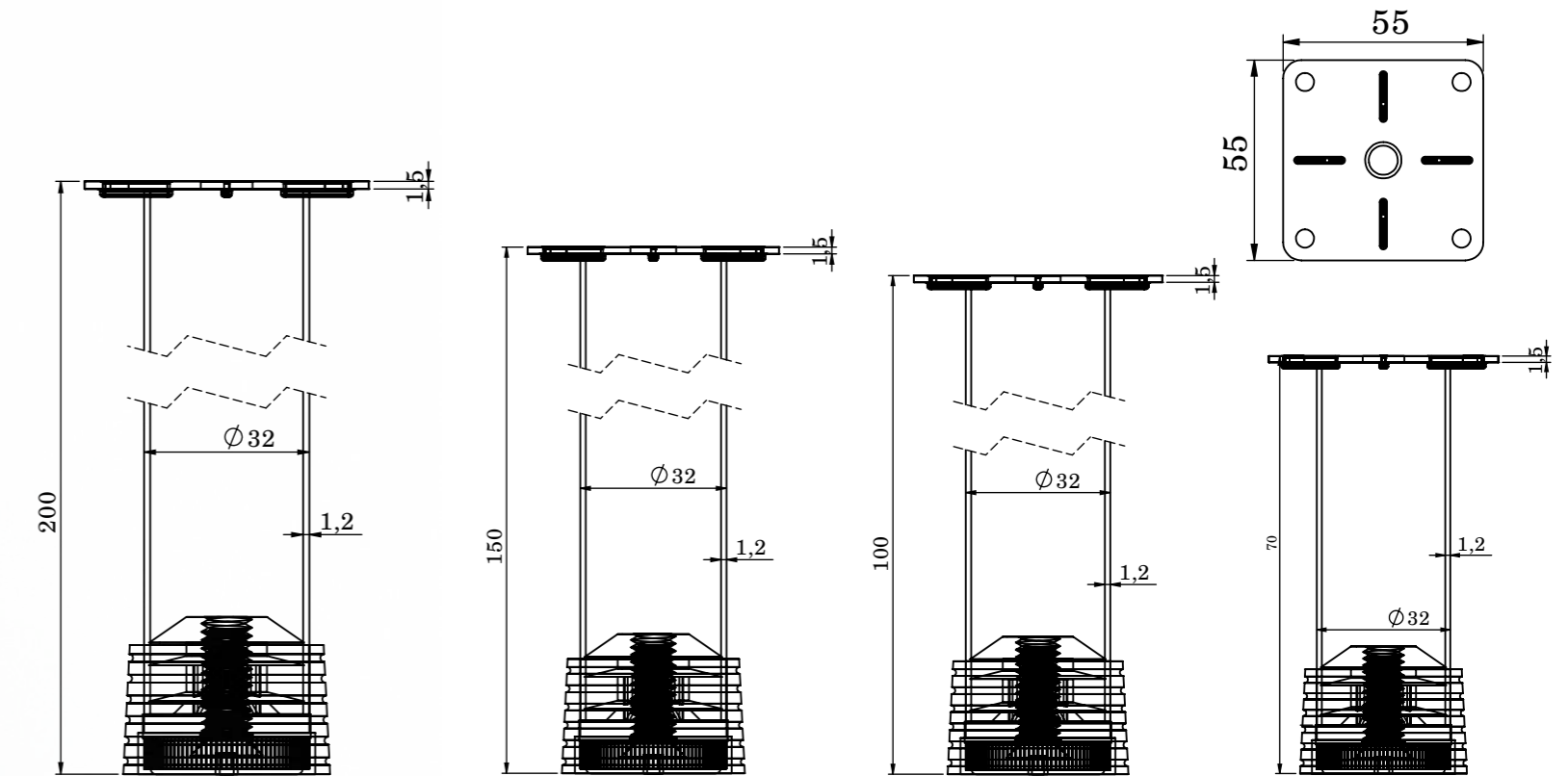
Technical Drawing



DKP(Metal)
With Aluminium Plug

- 01** Box Dimensions
29×39×25 cm
- 02** Pcs in Box
150/120/120/100/60
- 03** Weight
18/19.5/20/18 kgs
- 04** Volume
0,018 m³

• colors A, B, C, D



KBA-0206

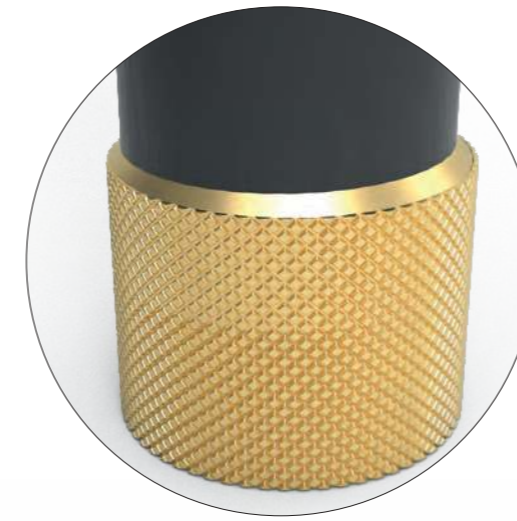
KBA-0205



KBA-0206-0070/0100/0125/0150/200

Knurl.

Knurl



Technical Details

Visual

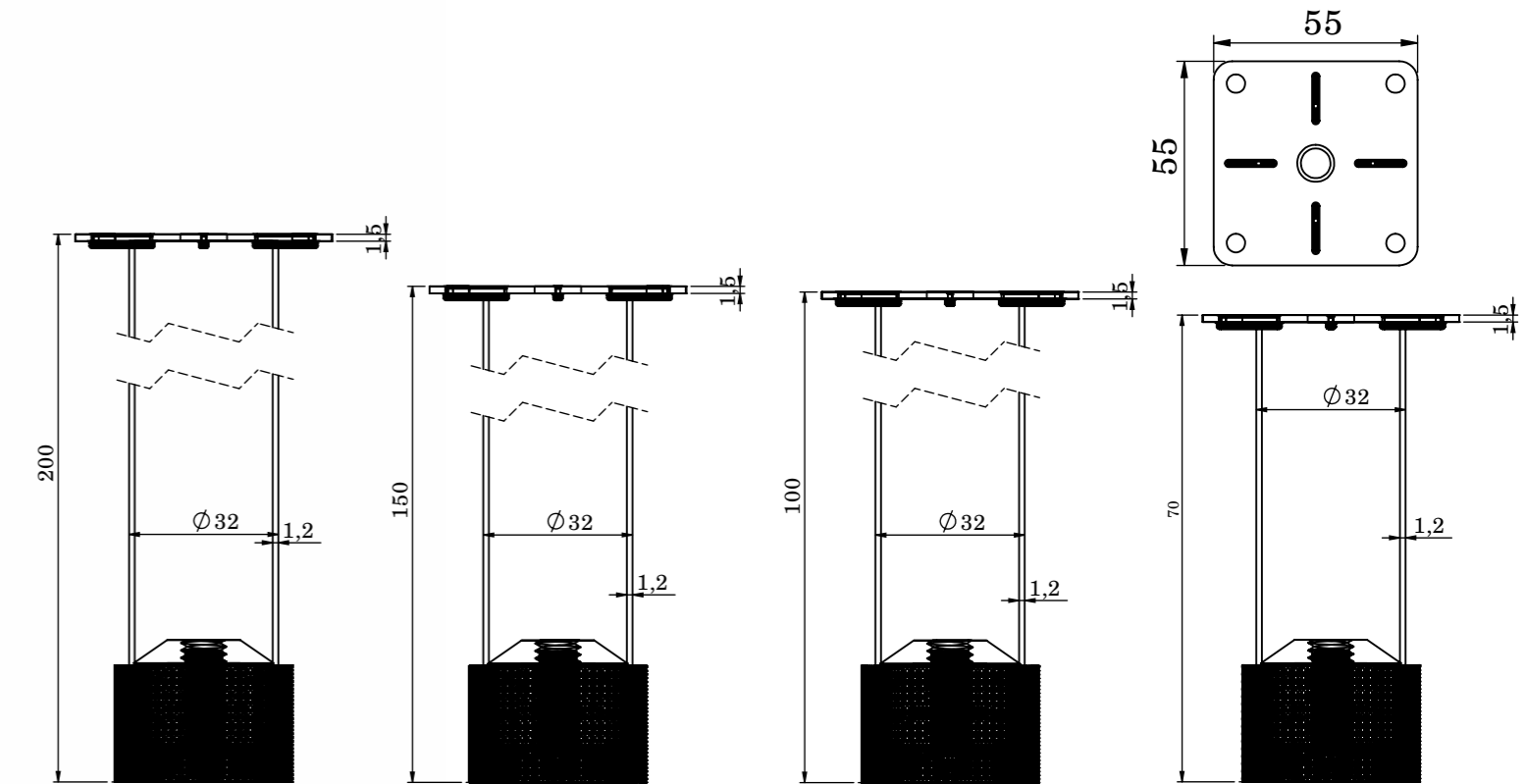
Technical Drawing



DKP(Metal)
With Aluminium Plug

- 01** Box Dimensions
29×39×25 cm
- 02** Pcs in Box
150/120/120/100/60
- 03** Weight
18/19.5/20/18 kgs kgs
- 04** Volume
0,018 m³

• colors A, B, C, D





KSA-0400-0500/0600

Finesse.

Technical Details

DKP (Metal)
With Plastic Plug

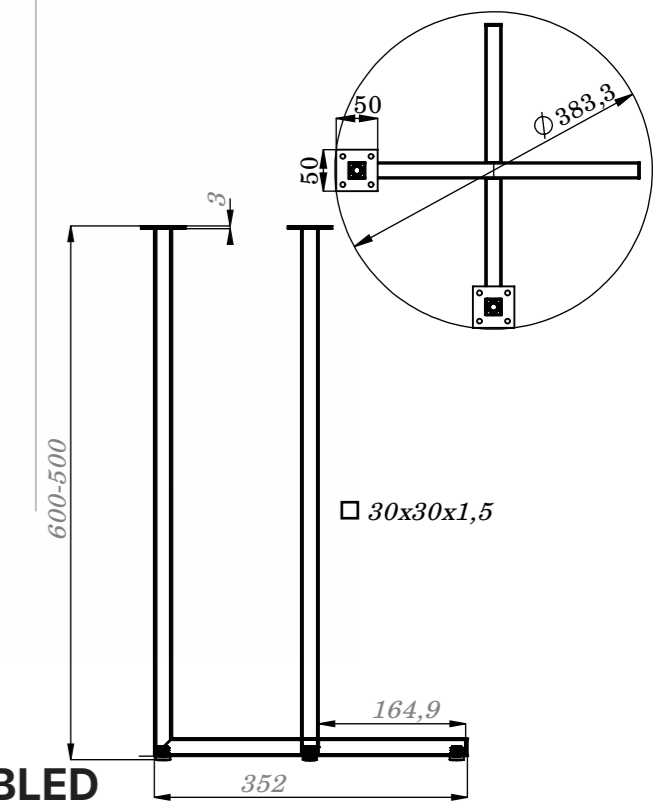
- 01 Box Dimensions
71,5×50×11 cm
- 02 Pcs in Box
3 SETS
- 03 Weight
5/6 kgs
- 04 Volume
0,04 m³

Visual



• colors B, C

Technical Drawing



DISASSEMBLED

KSA-0500
Celeste.

Technical Details



HRP(Metal)

- 01** | Box Dimensions
- cm
- 02** | Pcs in Box
1 Set
- 03** | Weight
- kgs
- 04** | Volume
- m³

Visual

• colors B



KPA-2795-0300
Melly.

Technical Details



DKP(Metal)
With Plastic Plug

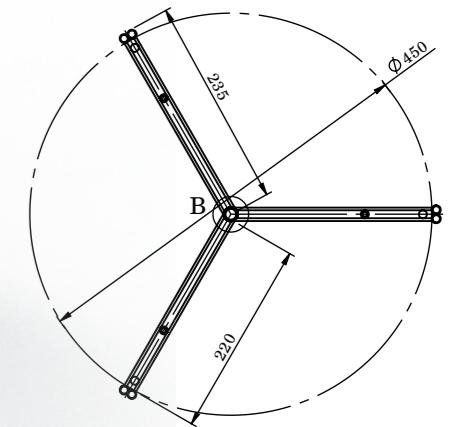
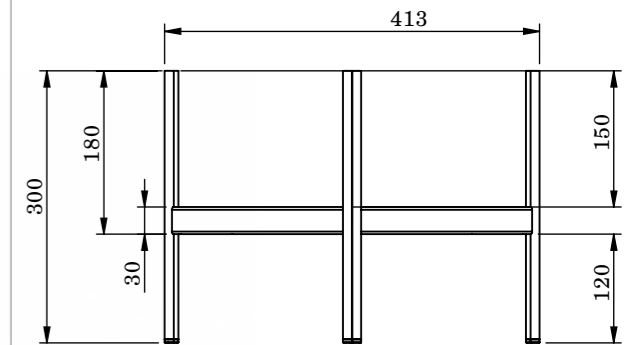
- 01** | Box Dimensions
45×45×50 cm
- 02** | Pcs in Box
4
- 03** | Weight
8 kgs
- 04** | Volume
0,10 m³

Visual

• colors B, C



Technical Drawing



KDK-0024-0245

Lailas.

KDK-0024

Technical Details



DKP(Metal)
With Plastic Plug

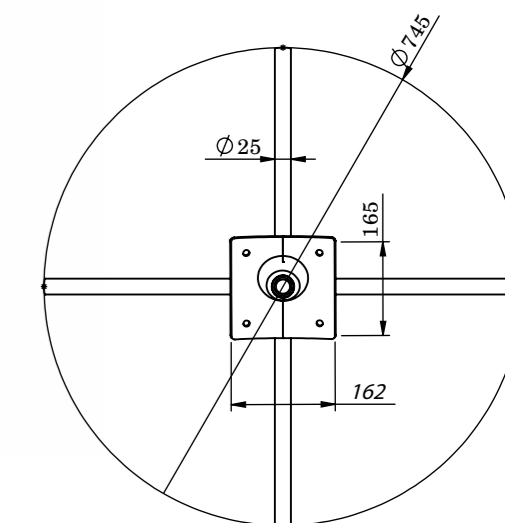
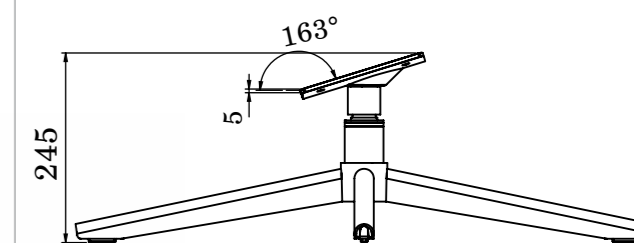
- 01** | Box Dimensions
45×45×10 cm
- 02** | Pcs in Box
1
- 03** | Weight
5 kgs
- 04** | Volume
0,028 m³

Visual



- colors B

Technical Drawing



KMA-0007-0710/KSA-0007-0410

Axie.

KMA-0007-0710



Technical Details

DKP(Metal)
With Plastic Plug

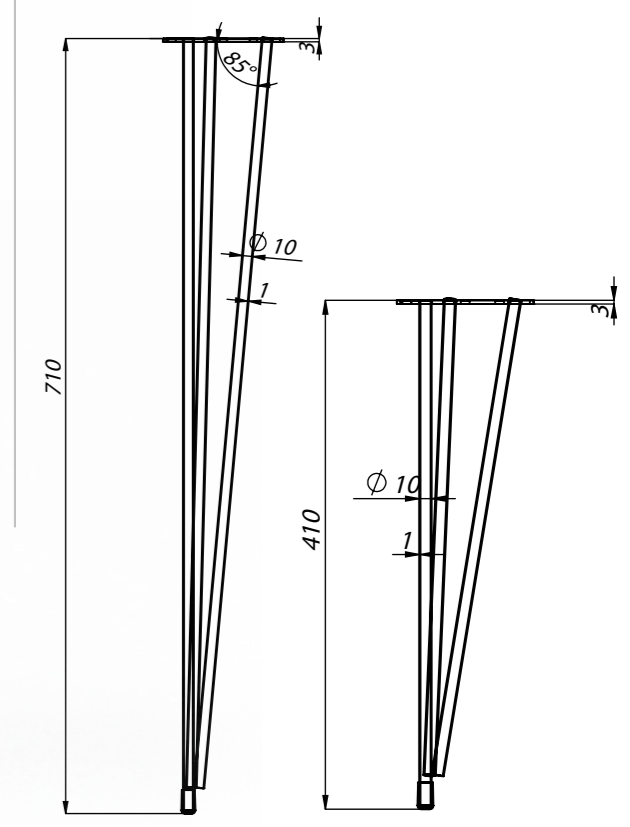
- 01** Box Dimensions
17.5×17×75/17.5×17×45 cm
- 02** Pcs in Box
4/4
- 03** Weight
3/2.5 kgs
- 04** Volume
0,028 m³

Visual



• colors A, B, C

Technical Drawing



KMA-0111-0710/KSA-0111-0410

Astra Vol1.

Technical Details

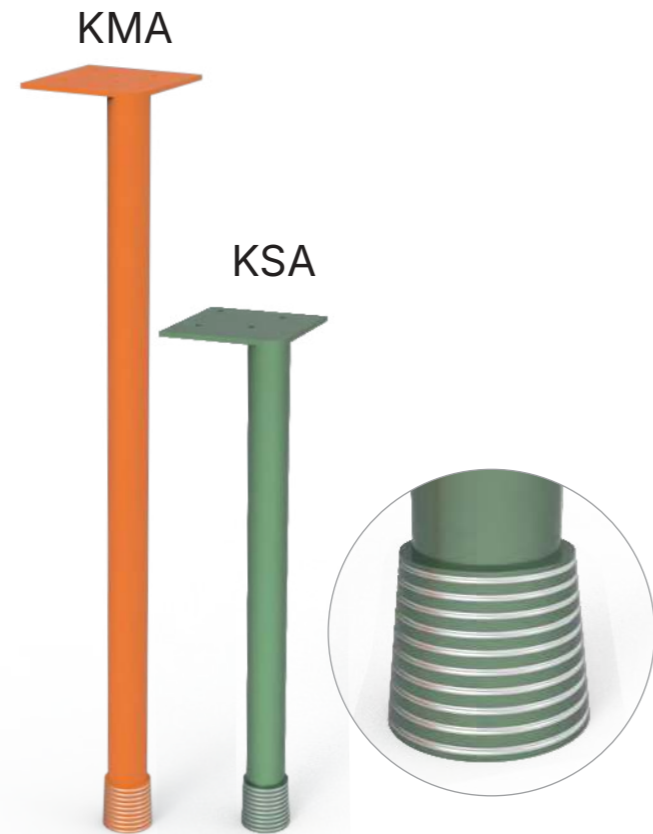


DKP (Metal)
With Aluminium Plug

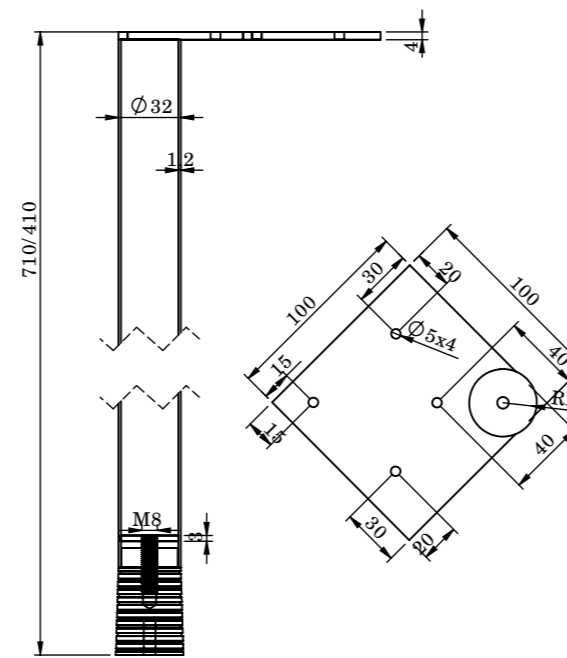
- 01** Box Dimensions
13.5×13.5×75/13.5×13.5×45 cm
- 02** Pcs in Box
4/4
- 03** Weight
4.3/3.2 kgs
- 04** Volume
- m³

Visual

• colors A, B, C, D



Technical Drawing



KMA-0112-0710/KSA-0112-0410

Astra Vol2.

Technical Details

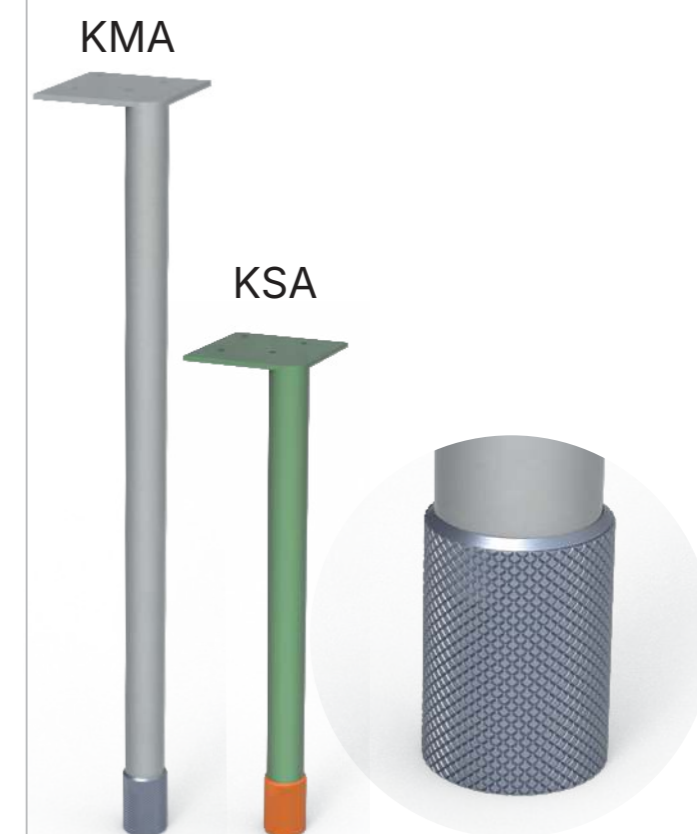


DKP (Metal)
With Aluminium Plug

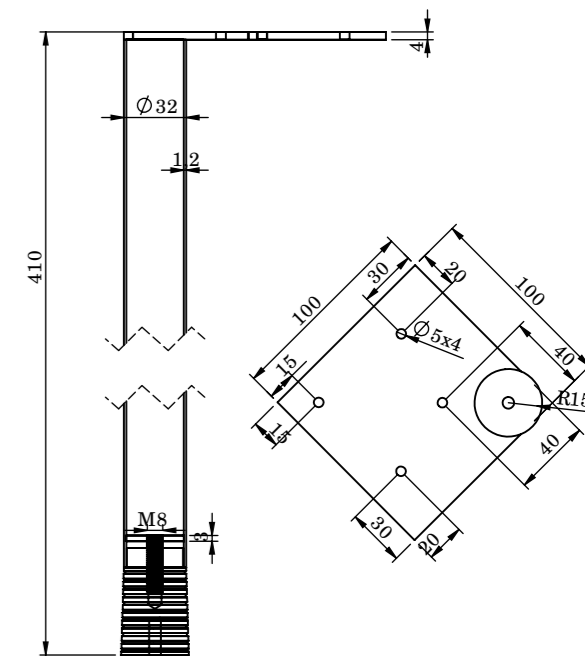
- 01** Box Dimensions
13.5×13.5×75/13.5×13.5×45 cm
- 02** Pcs in Box
4/4
- 03** Weight
4.3/3.2 kgs
- 04** Volume
- m³

Visual

• colors A, B, C, D



Technical Drawing



KMA-0125-0710

Filles.

Technical Details



DKP (Metal)
With Metal Plug

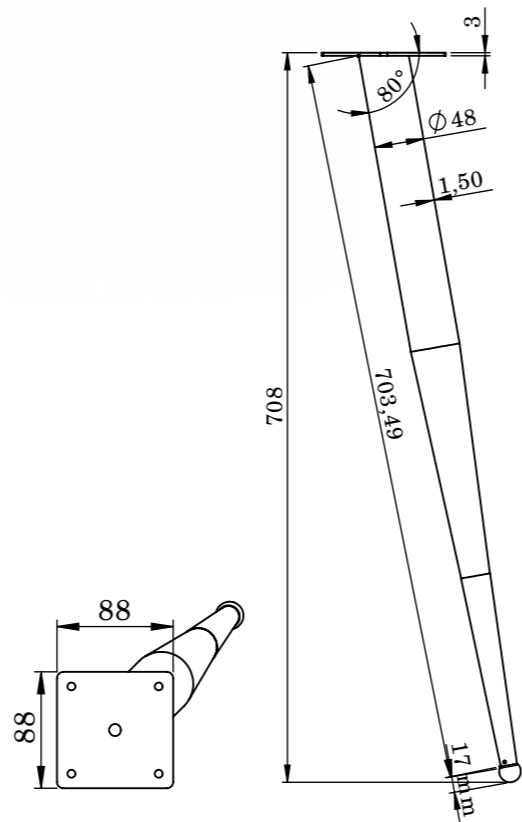
- 01** Box Dimensions
17.5×17×75 cm
- 02** Pcs in Box
8
- 03** Weight
9.5 kgs
- 04** Volume
0,034 m³

Visual

• colors B, C, I



Technical Drawing



KMA-0266-0710

Oxo.

Technical Details



HRP (Metal)
With Plastic Plug

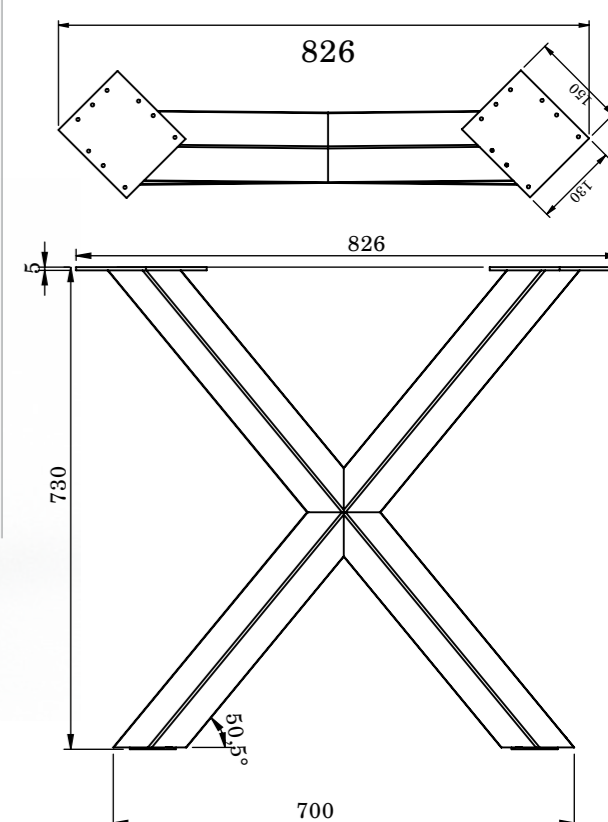
- 01** Box Dimensions
- cm
- 02** Pcs in Box
1 SET
- 03** Weight
14 kgs
- 04** Volume
- m³

Visual

• colors B



Technical Drawing



KMA-0260-0710

Octopus Vol1.



KMA-0260-0710



Technical Details

DKP(Metal)
With Plastic Plug

- 01 Box Dimensions
135×15×15 cm
- 02 Pcs in Box
1 SET
- 03 Weight
14 kgs
- 04 Volume
0,034 m³

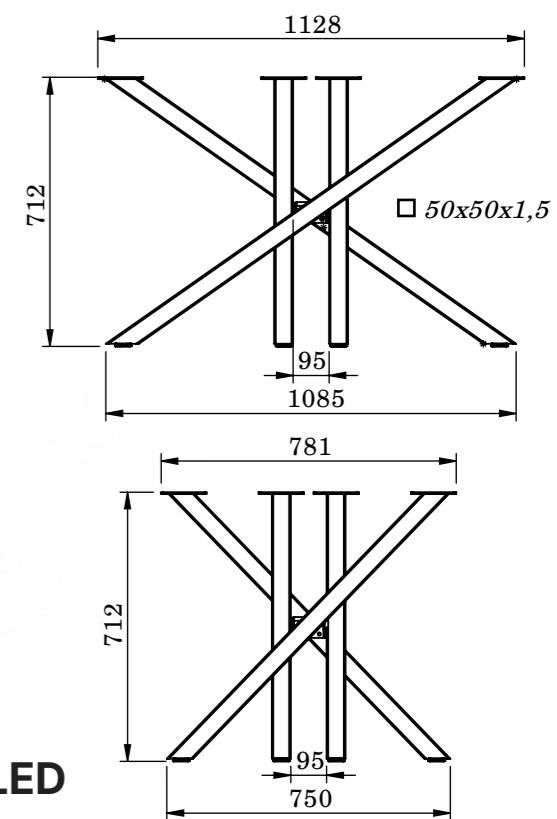
Visual

• colors B



DISASSEMBLED

Technical Drawing



KSA-0260-0430

Octopus Vol1.



KSA-0260-0430



Technical Details

DKP(Metal)
With Plastic Plug

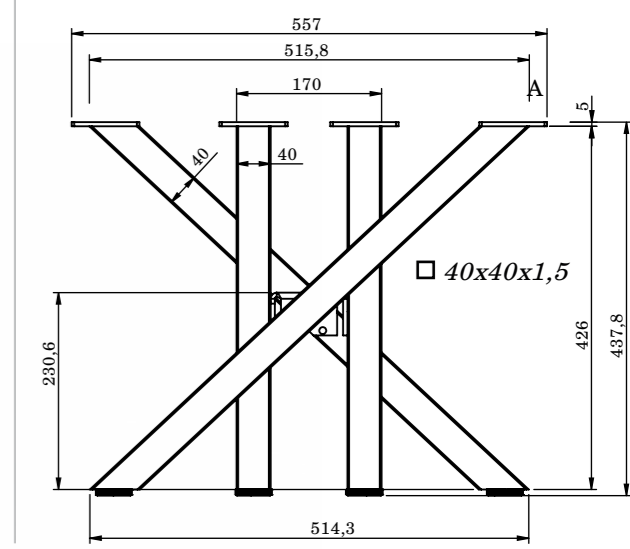
- 01 Box Dimensions
13×13×75 cm
- 02 Pcs in Box
1 SET
- 03 Weight
9 kgs
- 04 Volume
0,013 m³

Visual



DISASSEMBLED

Technical Drawing



• colors B

KMA-0265-0710

Octopus Vol2.

Technical Details



DKP(Metal)
With Plastic Plug

- 01** | Box Dimensions
135×15×15 cm
- 02** | Pcs in Box
1 SET
- 03** | Weight
14 kgs
- 04** | Volume
0,034 m³

Visual



• colors B

KSA-0265-0430

Octopus Vol2.

Technical Details



DKP(Metal)
With Plastic Plug

- 01** | Box Dimensions
13×13×75 cm
- 02** | Pcs in Box
1 SET
- 03** | Weight
9 kgs
- 04** | Volume
0,034 m³

Visual



• colors B


KMA-0507-0730
Recius.

KMA-0508-0730
Radius.

Technical Details

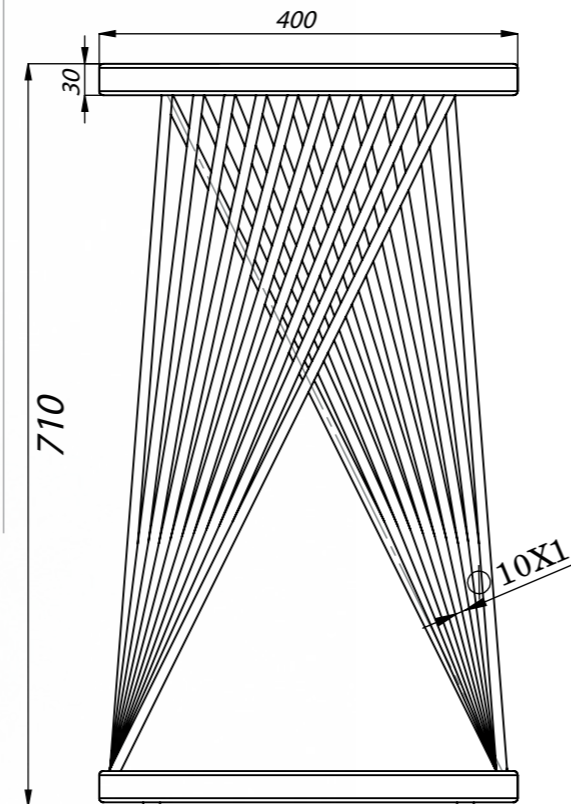
Visual

Technical Drawing

 DKP (Metal)
 With Plastic Plug

- 01** | Box Dimensions
- cm
- 02** | Pcs in Box
1
- 03** | Weight
8 kgs
- 04** | Volume
0,029 m³


• colors B



Technical Details

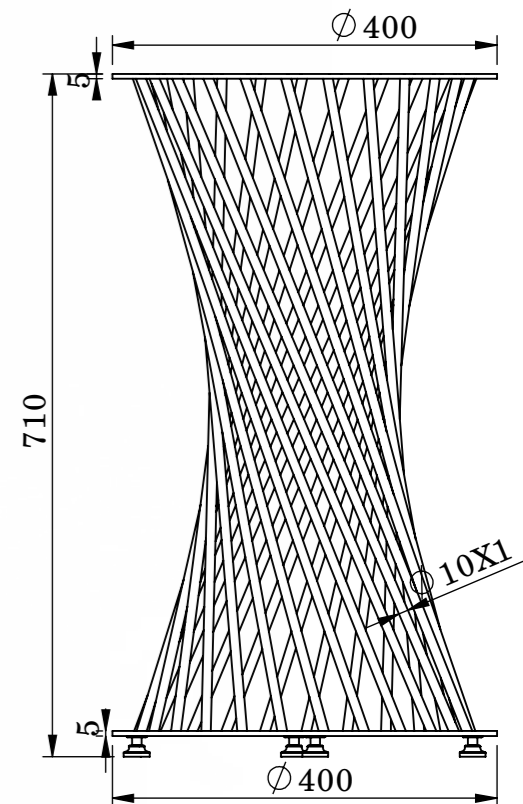
Visual

Technical Drawing

 DKP (Metal)
 With Plastic Plug

- 01** | Box Dimensions
- cm
- 02** | Pcs in Box
1
- 03** | Weight
9 kgs
- 04** | Volume
0,029 m³

• colors B



KMA-0226-0730

Mirage Vol1.

Technical Details



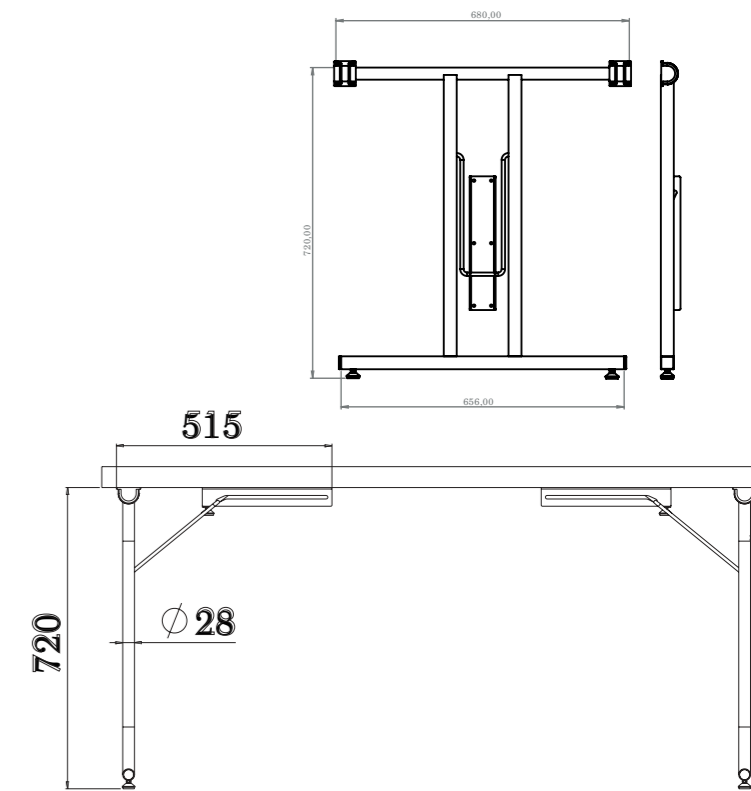
DKP (Metal)
With Plastic Plug

- 01 Box Dimensions
- cm
- 02 Pcs in Box
1 Set
- 03 Weight
10 kgs
- 04 Volume
- m³

Visual



Technical Drawing



• colors B

KMA-0258-0730

Mirage Vol2.

Technical Details

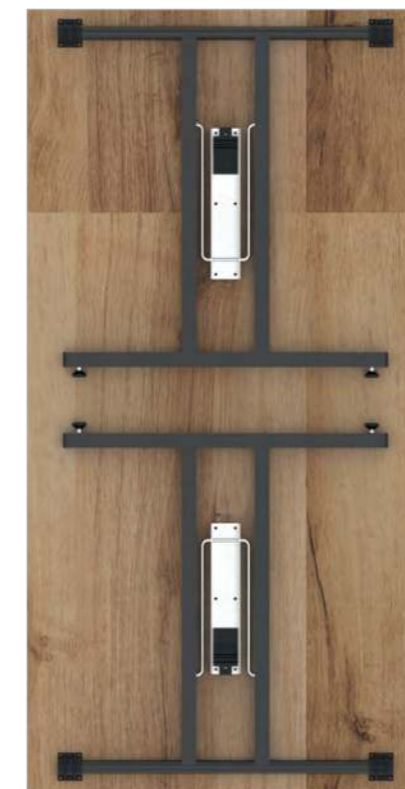


DKP (Metal)
With Plastic Plug

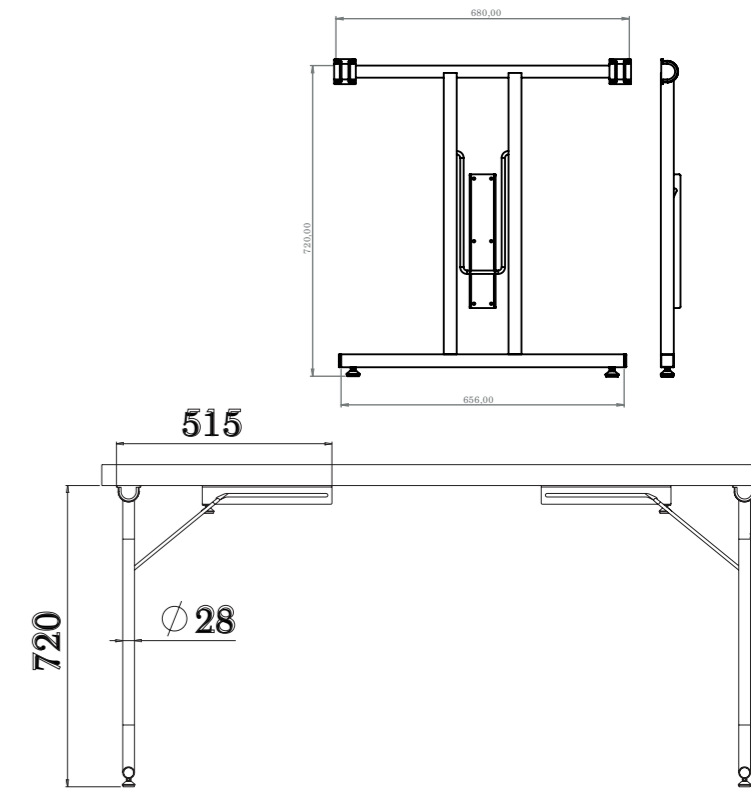
- 01** Box Dimensions
- cm
- 02** Pcs in Box
1 Set
- 03** Weight
10 kgs
- 04** Volume
- m³

Visual

• colors B



Technical Drawing



KMA-0259-0730

Mirage Vol3.

Technical Details



DKP (Metal)
With Plastic Plug

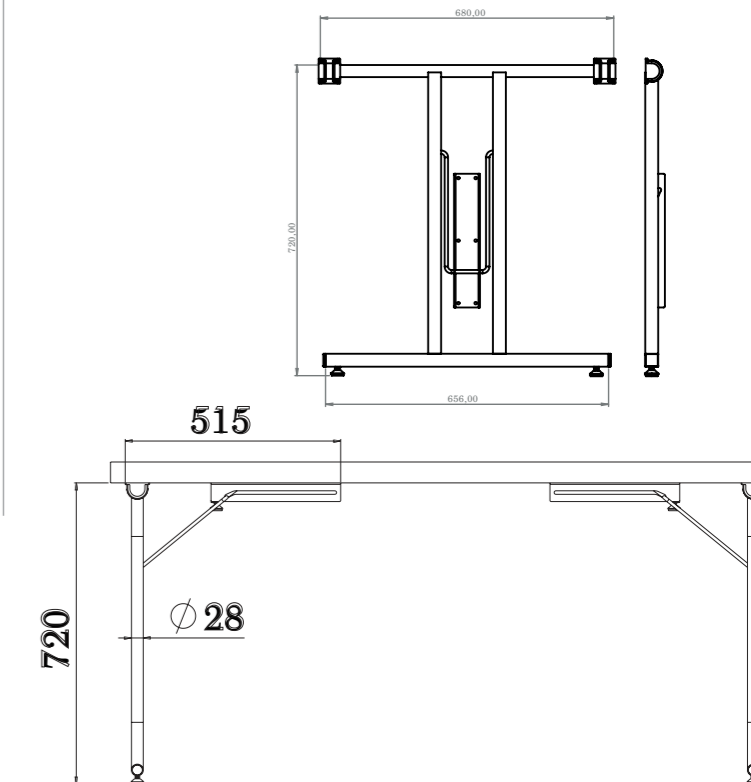
- 01 Box Dimensions
- cm
- 02 Pcs in Box
1 Set
- 03 Weight
10 kgs
- 04 Volume
- m³

Visual

• colors B



Technical Drawing



KMA-0243-P1-0730

Serene.

KMA-0243-P2-0730

Phoenix.

Technical Details



HRP(Metal)
With Plastic Plug

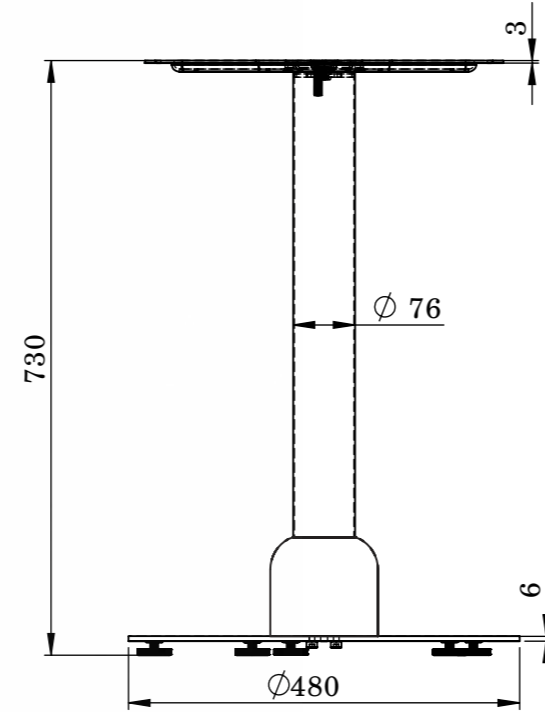
- 01** Box Dimensions
12×50×70 cm
- 02** Pcs in Box
2
- 03** Weight
27 kgs
- 04** Volume
0,042 m³

Visual

• colors B, C



Technical Drawing



DISASSEMBLED

Technical Details



HRP(Metal)
With Plastic Plug

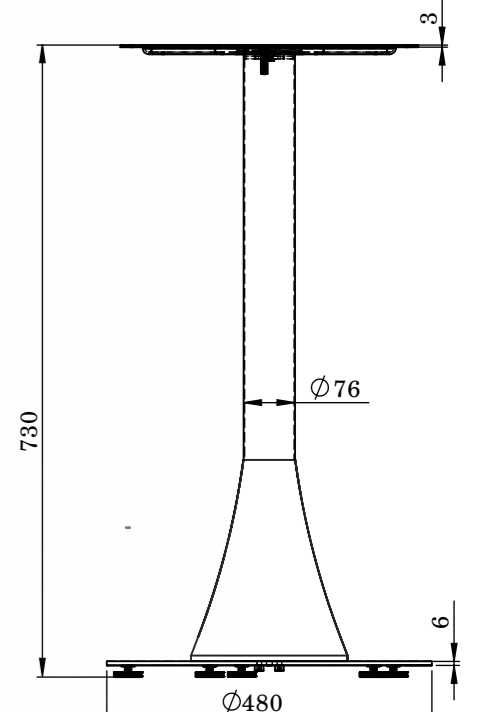
- 01** Box Dimensions
12×50×70 cm
- 02** Pcs in Box
2
- 03** Weight
27 kgs
- 04** Volume
0,042 m³

Visual

• colors B, C



Technical Drawing



DISASSEMBLED

KMA-0243-P3-0730

Aether.

Technical Details



HRP(Metal)
With Plastic Plug

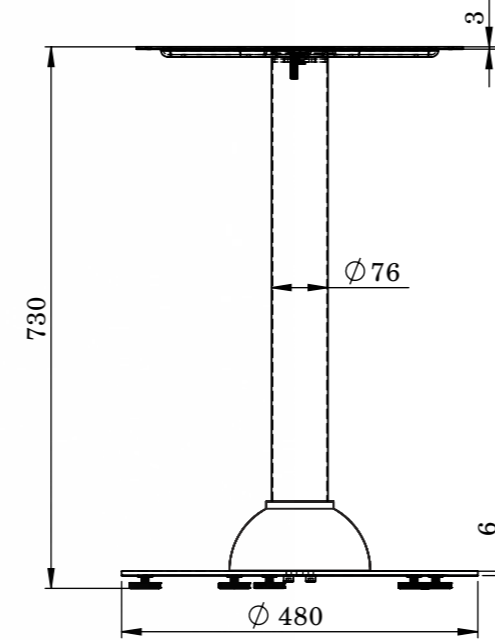
- 01** | Box Dimensions
12×50×70 cm
- 02** | Pcs in Box
2
- 03** | Weight
27 kgs
- 04** | Volume
0,042 m³

Visual

• colors B, C



Technical Drawing



DISASSEMBLED

KMA-0243-P4-0730

Nebula.

Technical Details



HRP(Metal)
With Plastic Plug

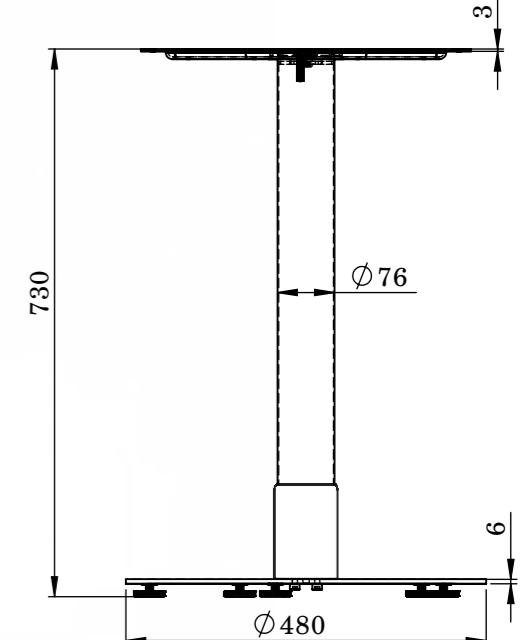
- 01** | Box Dimensions
12×50×70 cm
- 02** | Pcs in Box
2
- 03** | Weight
27 kgs
- 04** | Volume
0,042 m³

Visual

• colors B, C



Technical Drawing



DISASSEMBLED



KMA-2033-0710

Diamond Vol2.

Technical Details



DKP(Metal)
With Plastic Plug

- 01** Box Dimensions
82×23×23 cm
- 02** Pcs in Box
1 SET
- 03** Weight
13 kgs
- 04** Volume
- m³

Visual



• colors B, C

DISASSEMBLED

KMA-2771-0710/KSA-2771-0430

Deqx.

KMA-2771-0710



Technical Details

DKP(Metal)
With Plastic Plug

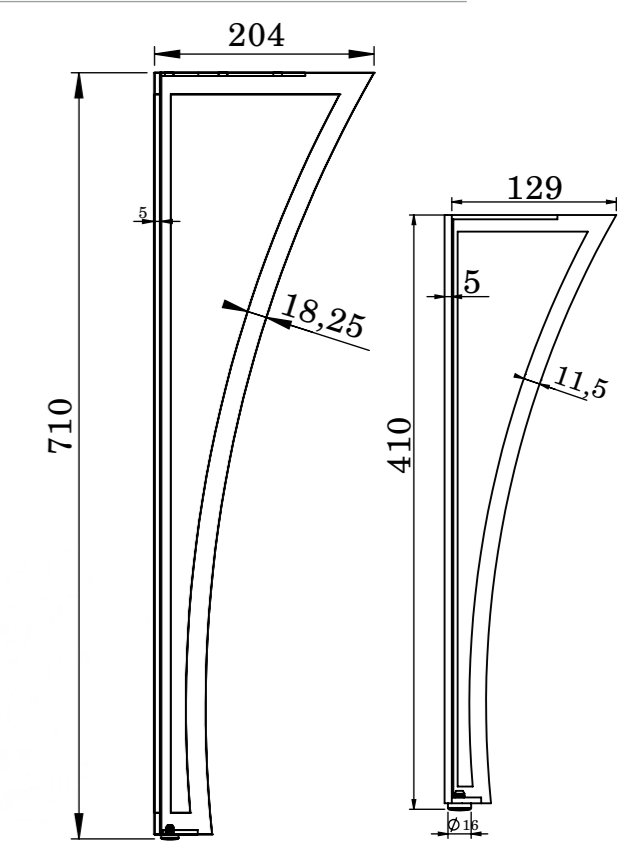
- 01** Box Dimensions
82×23×23/45×17×17 cm
- 02** Pcs in Box
4/4
- 03** Weight
9.5/3.5 kgs
- 04** Volume
0,028 m³

Visual



• colors A, B, C

Technical Drawing



KTS-0001

Fumus.

KTS-0001

Technical Details



DKP(Metal)
With Plastic Plug

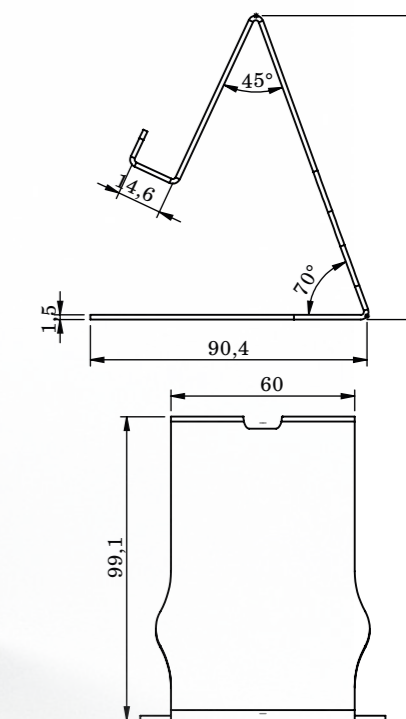
- 01** | Box Dimensions
29×39×25 cm
- 02** | Pcs in Box
50
- 03** | Weight
9 kgs
- 04** | Volume
0,029 m³

Visual



- colors B, C

Technical Drawing



KTS-0002



Ember

KTS-0002

Ember.

Technical Details

DKP(Metal)
With Plastic Plug

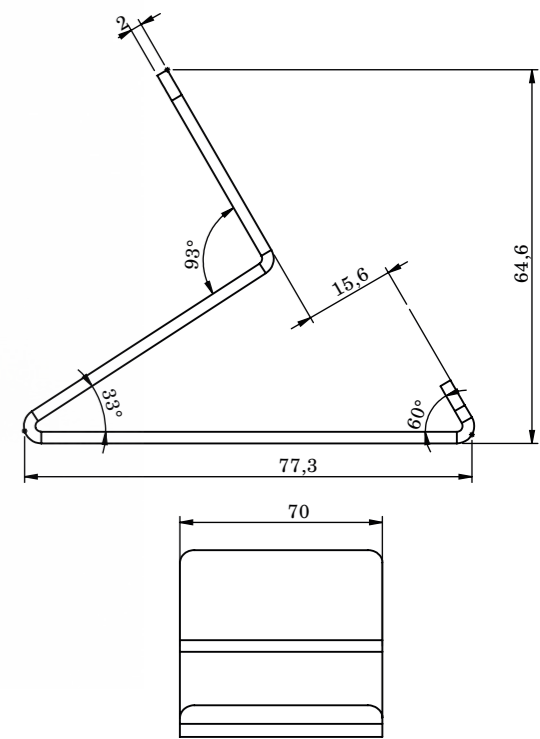
- 01 Box Dimensions
29×39×25 cm
- 02 Pcs in Box
100
- 03 Weight
15 kgs
- 04 Volume
0,029 m³

Visual



• colors B, C

Technical Drawing



KTS-0003



KTS-0003 Crest.

Technical Details

DKP (Metal)
With Plastic Plug

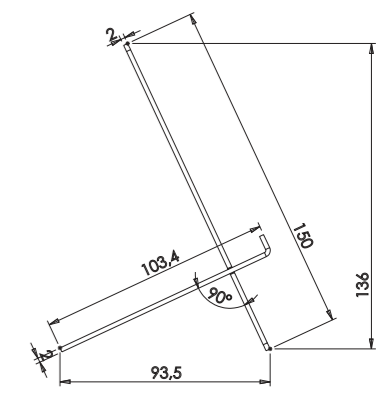
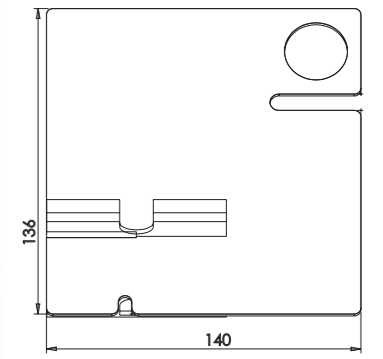
- 01 Box Dimensions
26×30×25 cm
- 02 Pcs in Box
50
- 03 Weight
23 kgs
- 04 Volume
0,029 m³

Visual

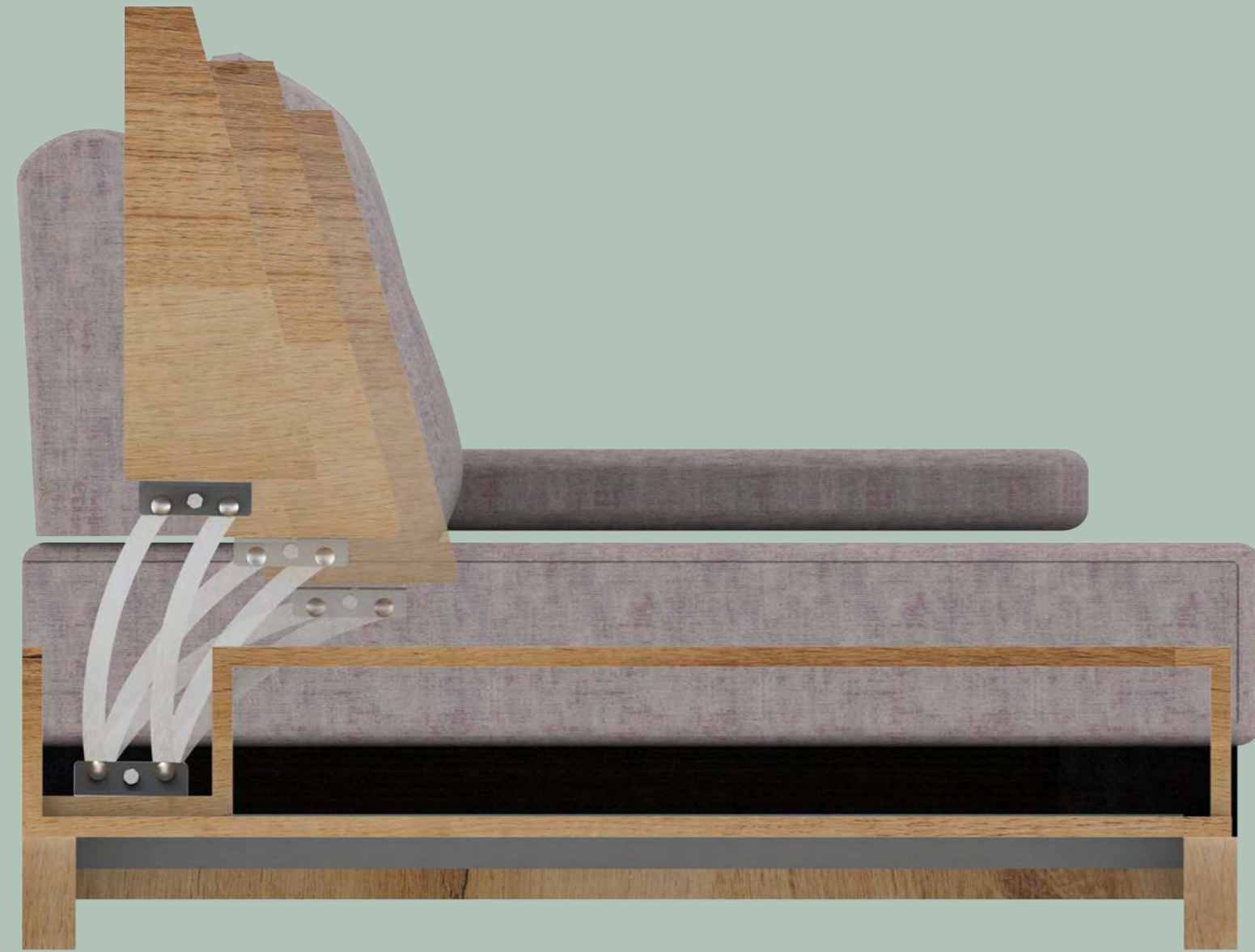


• colors B, C

Technical Drawing



KMK-0105



KMK-0105 Solara.

KMK-0106 Elara.

Visual



Technical Details



- 01 Box Dimensions
30×23×26 cm
- 02 Pcs in Box
8
- 03 Weight
9 kgs
- 04 Volume
0,018 m³

Technical Details



- 01 Box Dimensions
30×26×23 cm
- 02 Pcs in Box
8
- 03 Weight
15 kgs
- 04 Volume
0,018 m³

• colors A, B

Visual



KMK-0109
Echo.

Technical Details



HRP(Metal)

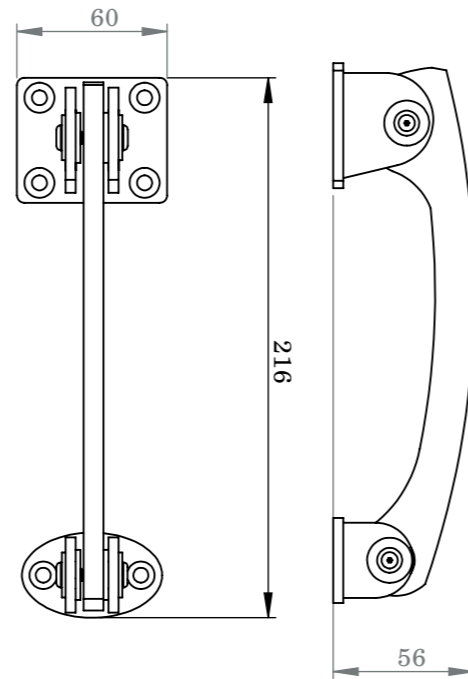
- 01** Box Dimensions
26×30×25 cm
- 02** Pcs in Box
30
- 03** Weight
- kgs
- 04** Volume
0,018 m³

Visual



• colors B

Technical Drawing



KMK-0110
Thorne.

Technical Details



HRP(Metal)

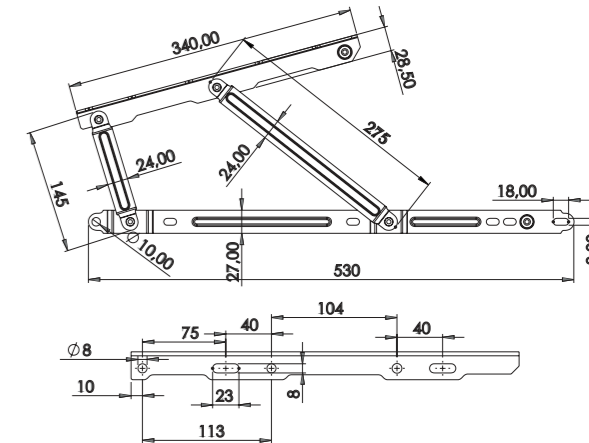
- 01** Box Dimensions
10X29,5X54 cm
- 02** Pcs in Box
10 SETS
- 03** Weight
18 kgs
- 04** Volume
0,055 m³

Visual



• colors B

Technical Drawing





KRM-0024
Vesper.

KRM-0025
Oriel.

Visual

Technical Details

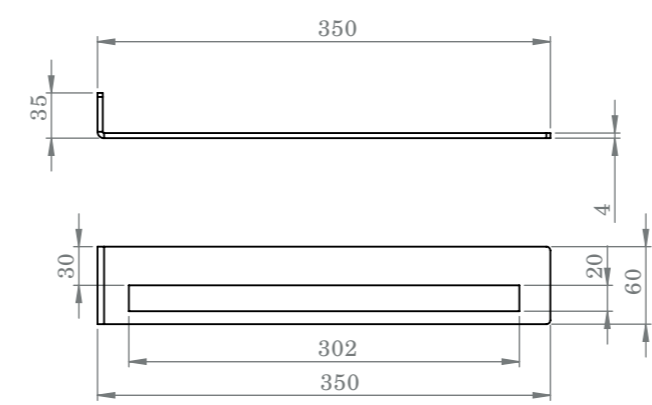
Visual



HRP(Metal)
 With Plastic Plug



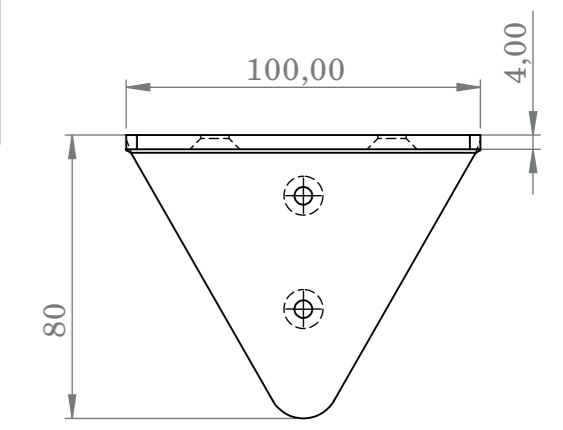
HRP(Metal)
 With Plastic Plug



- 01 Box Dimensions
29×39×25 cm
- 02 Pcs in Box
15 Set
- 03 Weight
11,5 kgs
- 04 Volume
0,018 m³

- 01 Box Dimensions
23×15,5×17 cm
- 02 Pcs in Box
25 Set
- 03 Weight
15 kgs
- 04 Volume
0,018 m³

• colors A, B, C



Galvanic Plating

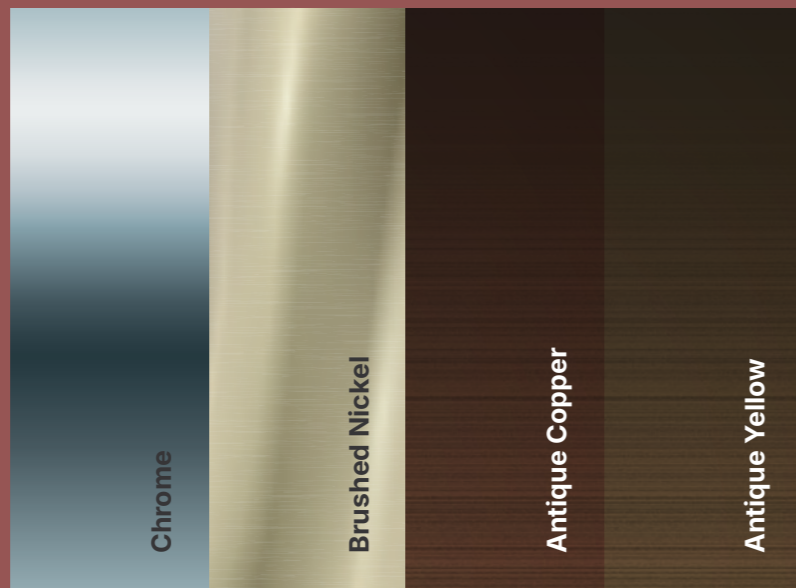


A01

A04

A07

A08



Electrostatic Epoxy Paint



B12

B33

B64

B65

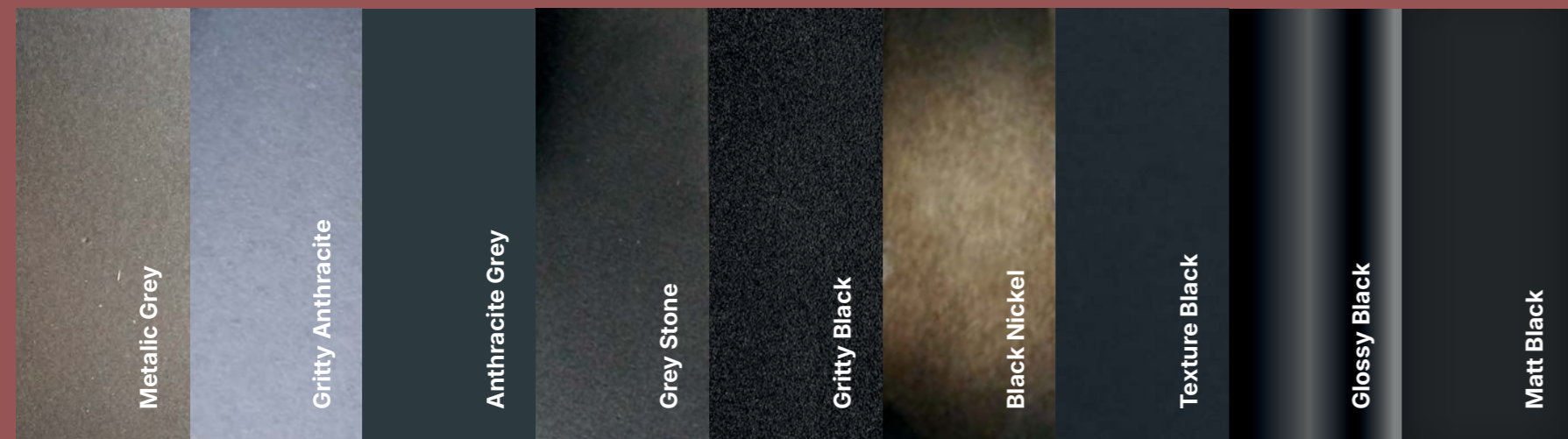
B11

B54



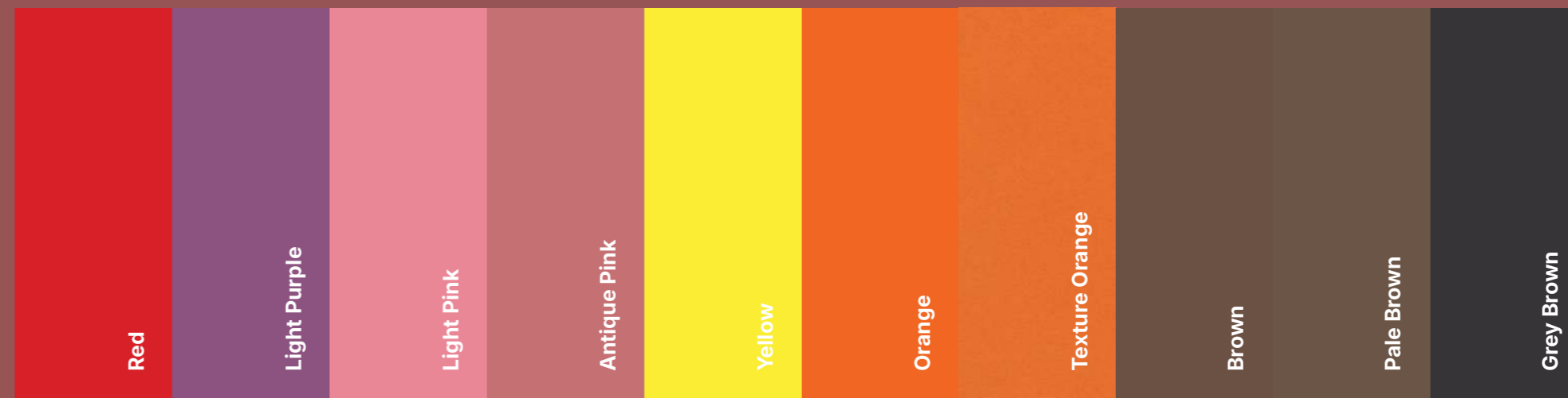
Electrostatic Epoxy Paint

B39 B34 B21 B41 P13 B05 B35 B29 B13



Electrostatic Epoxy Paint

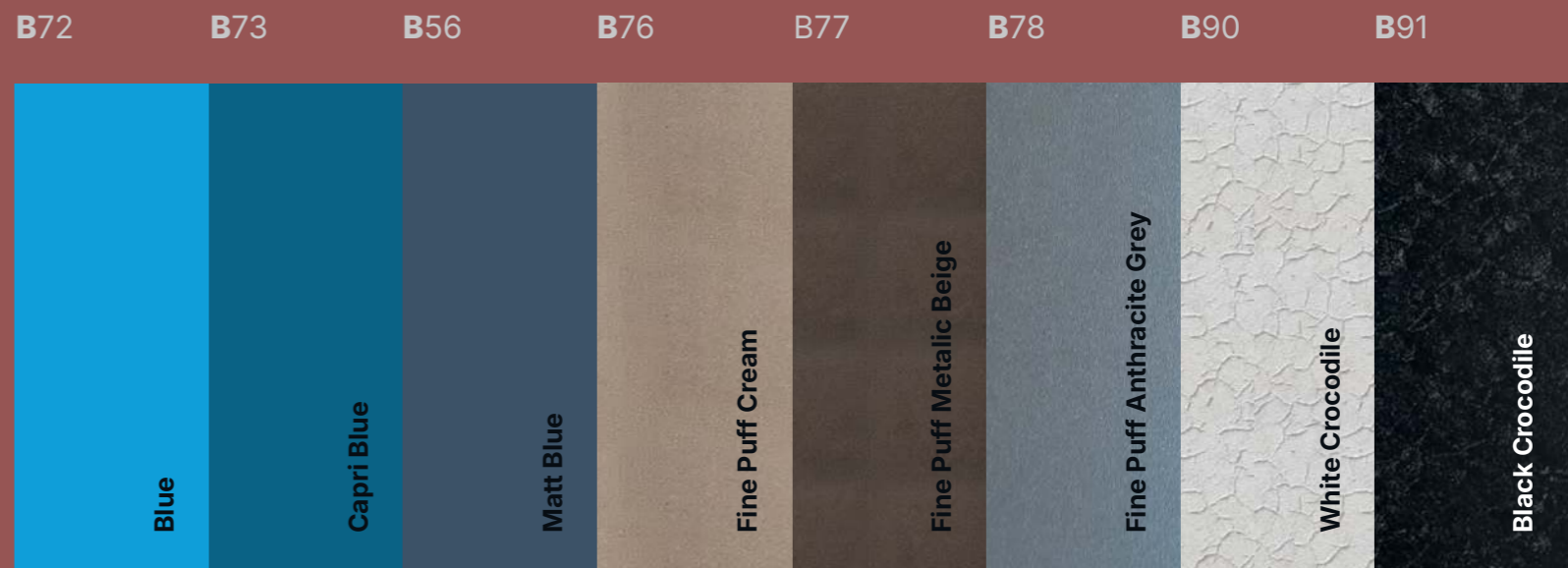
B17 B66 B67 B68 B15 B18 B04 B19 B36 B55



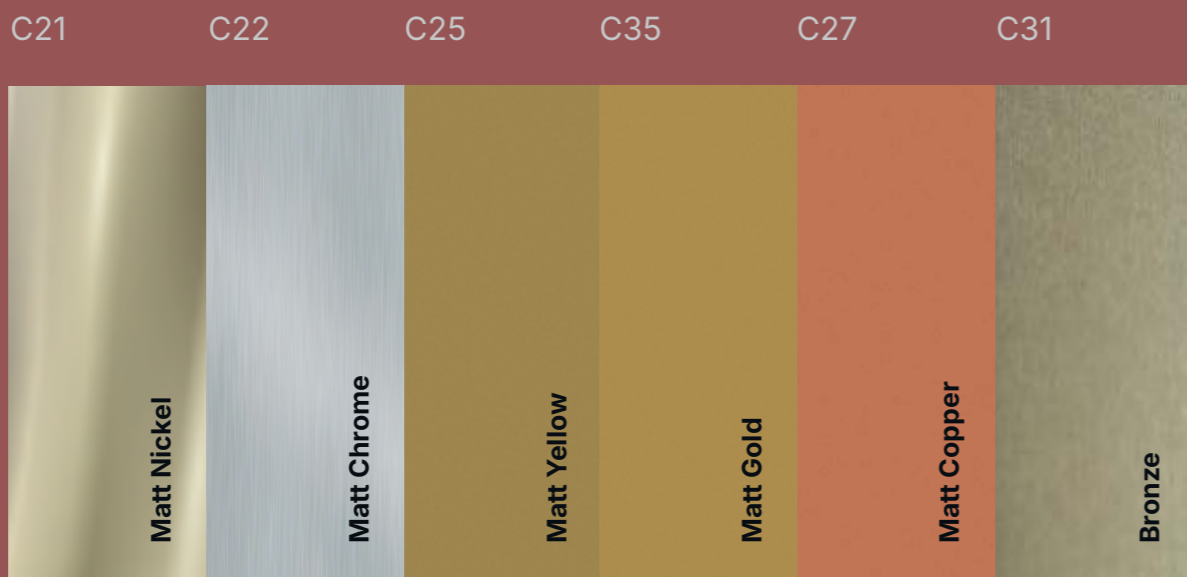
Electrostatic Epoxy Paint



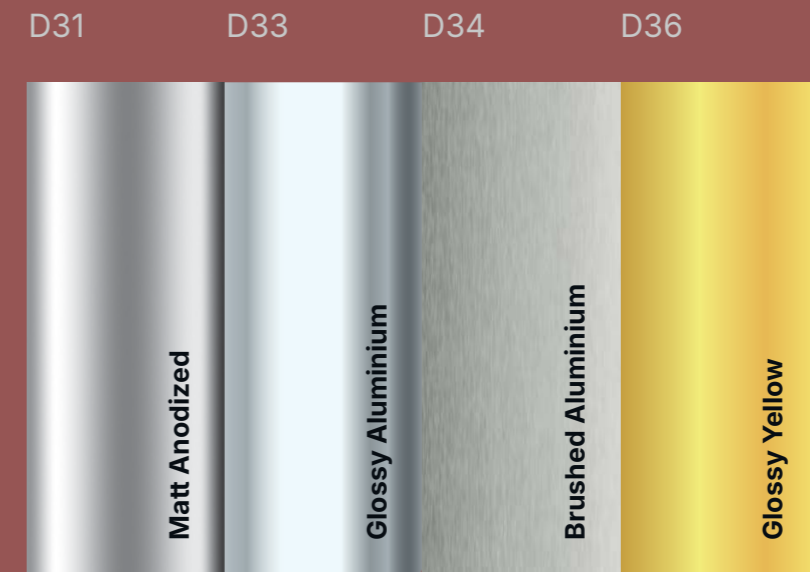
Electrostatic Epoxy Paint



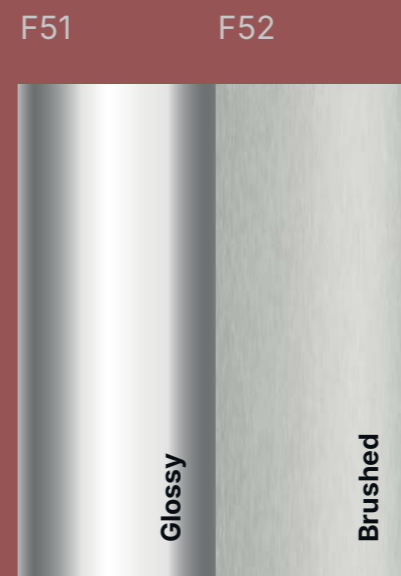
Liquid Paint



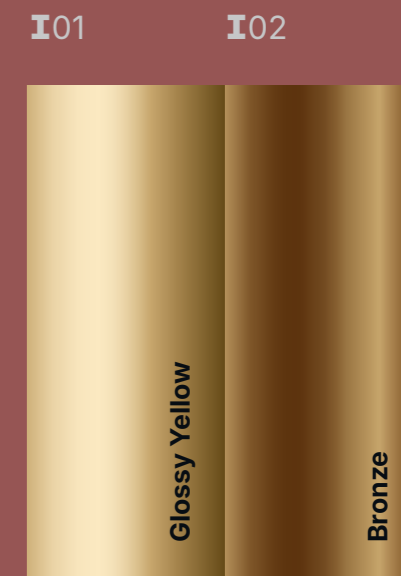
Aluminium



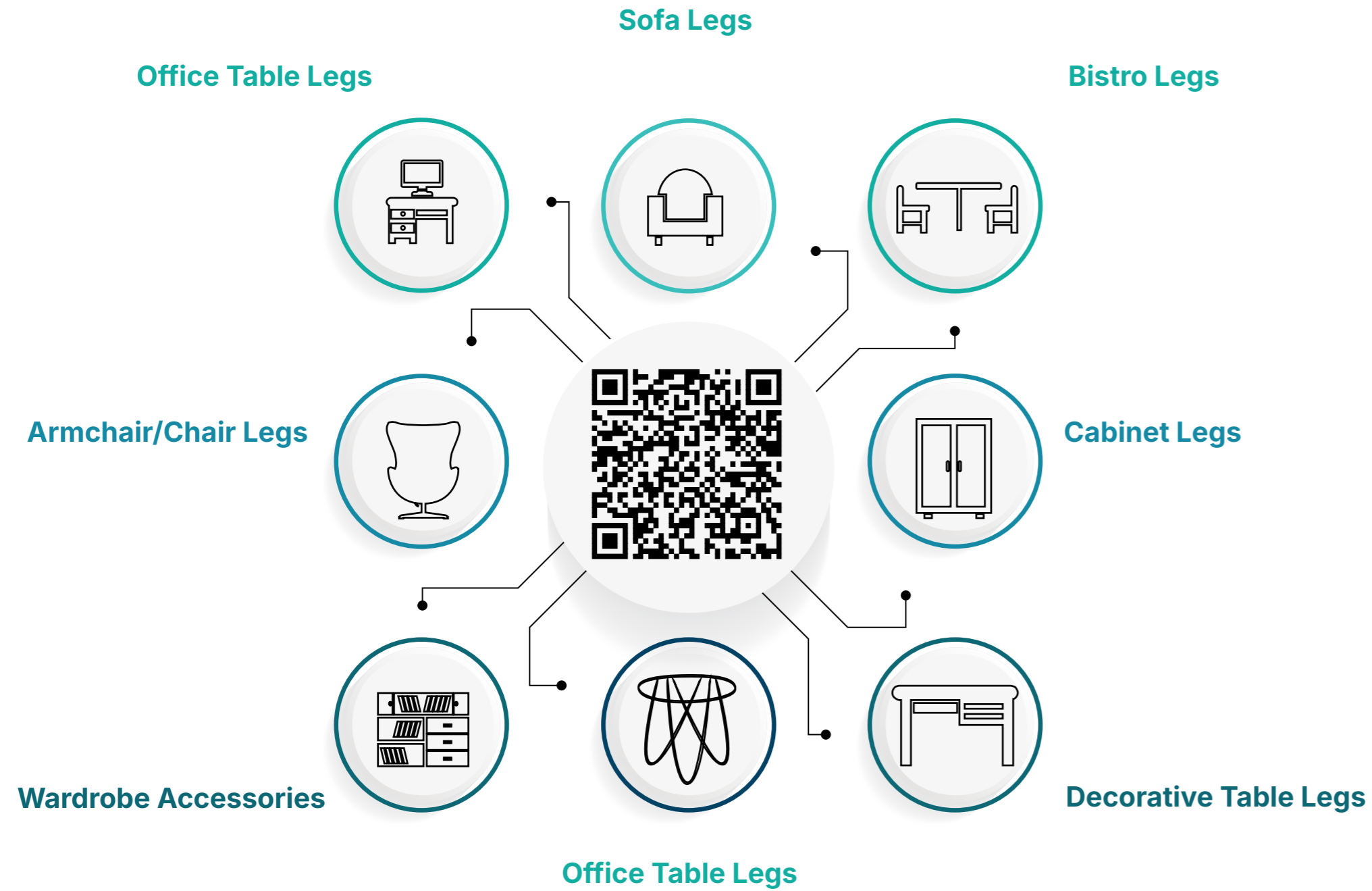
Inox



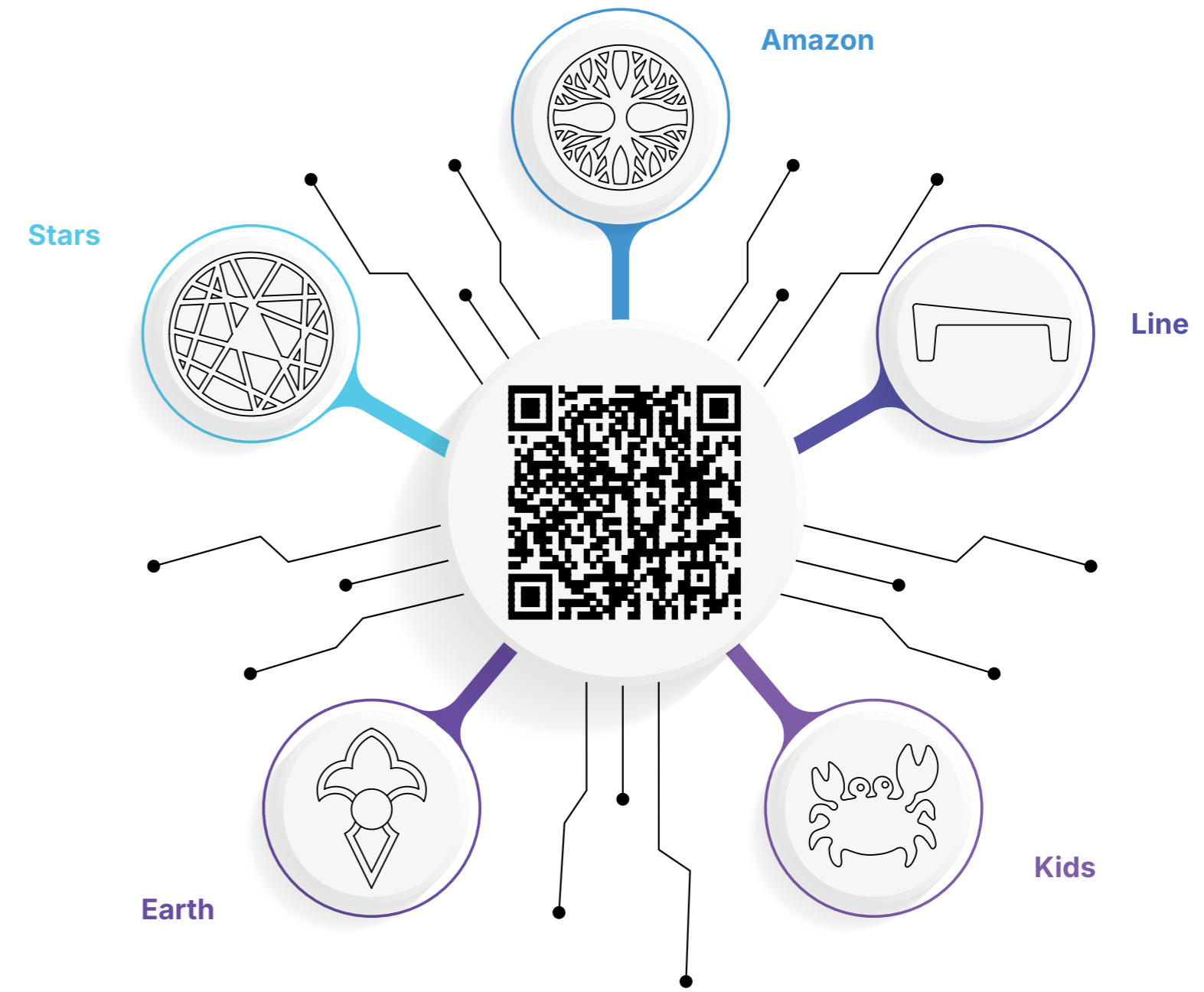
ELECTROPHORETIC PLATING



KAPSAN CATALOGUE 2024



HANDLES CATALOGUE 2024









New Design
Technology Investrmen
Economic Developments
Contributing Environmental Awareness



Contact

-  (90) 282-676-46-23
-  (90) 282-676-46-22
-  info@kapsantr.com
-  Velimeşe Mah. Sultan Sk.No:6/1 59930 Ergene
Tekirdag/TÜRKIYE

www.kapsantr.com

Quality is Hidden in Details.